

1

2

3

4

5

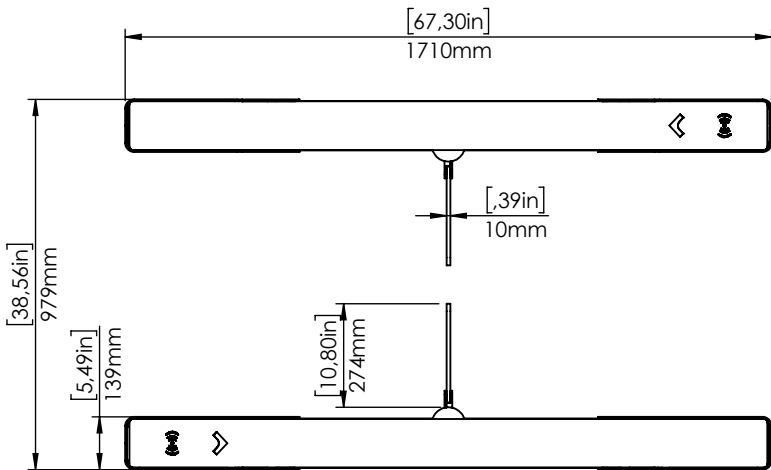
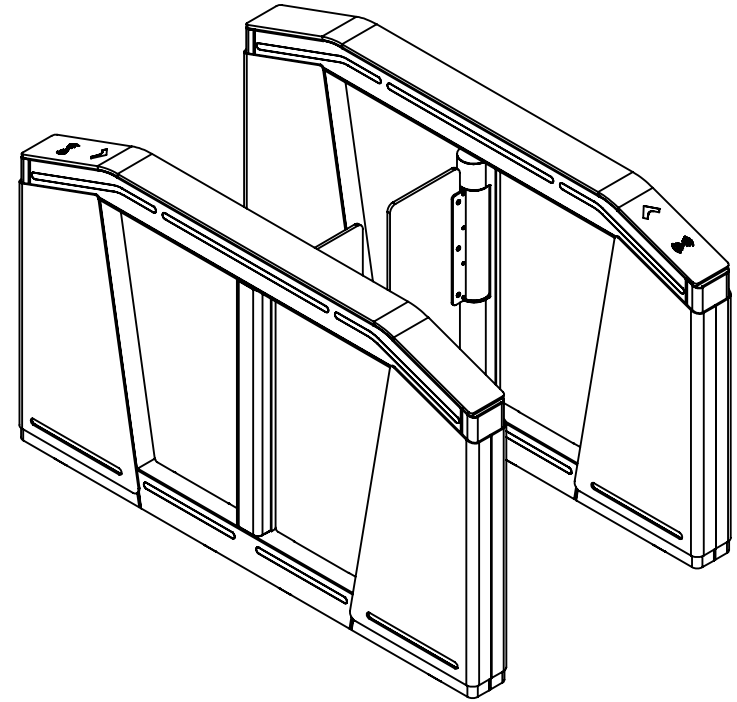
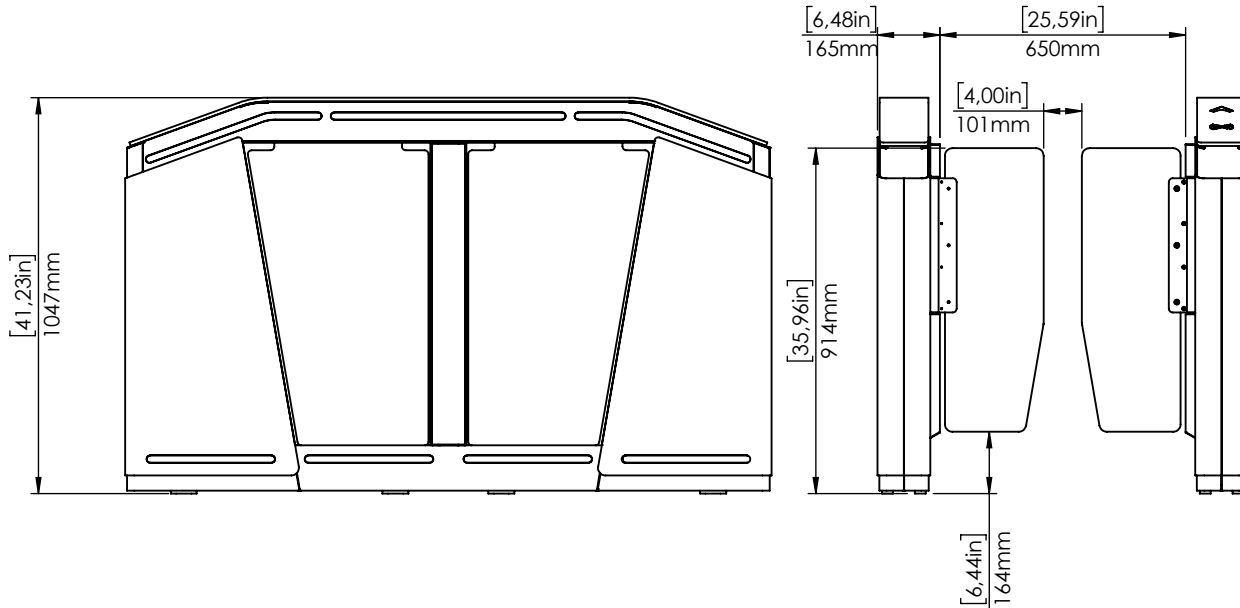
6



A

B

C

D



| ROUTE⇒ | | Scale: | 1:50 | Unit:(mm) | Weight : | 264.01kg |
|---|---------------|---|------|-----------------------|----------|--------------|
| *UNLESS OTHERWISE SPECIFIED DIMENSIONS ARE IN MILLIMETERS | | Type of Material: | | Part / Assembly Name: | | |
| * UNLESS OTHERWISE SPECIFIED TOLERANCE CLASS IS ISO 2768-mK | | Part / Assembly Code: | | Size of Row Material: | | |
| Name | Date | Signature | | VISION | | |
| Drawing by | Gökhan KARACA | 12.11.2020 | | Stock Card: | | |
| Checking by | Kenan ERSOY | | | PDM No: | | Revision Nr |
| Approval | Kenan ERSOY | | | 20-113256 | | Page |
| Last saved date | | 12.11.2020 | | 1-1 | | Sheet Format |
|  | |  | | A4 | | |

*The information which is in this technical drawing belong to TANSA. It can not be multiplied as partially or completely without written permission of TanSA. Gıvenlik Sistemleri ve Satış Servisi Tr. A.Ş.

Form No: F23.03 Rev.02

1

2

3

4

5

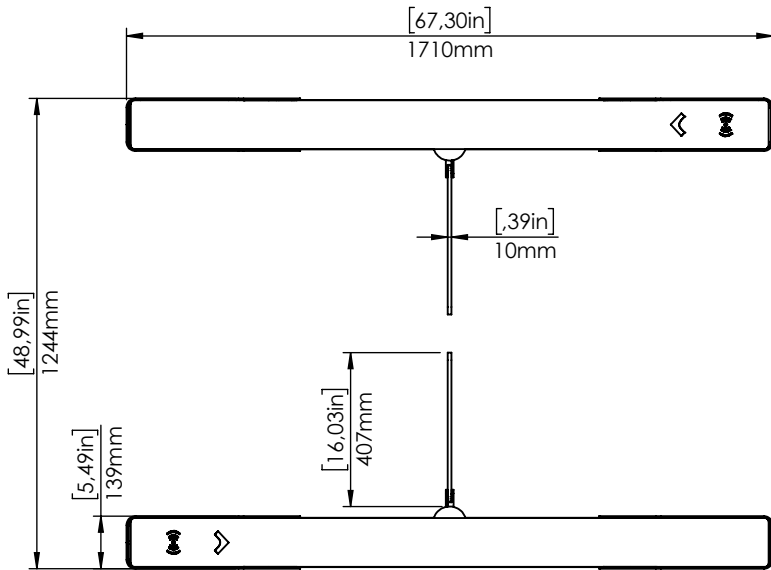
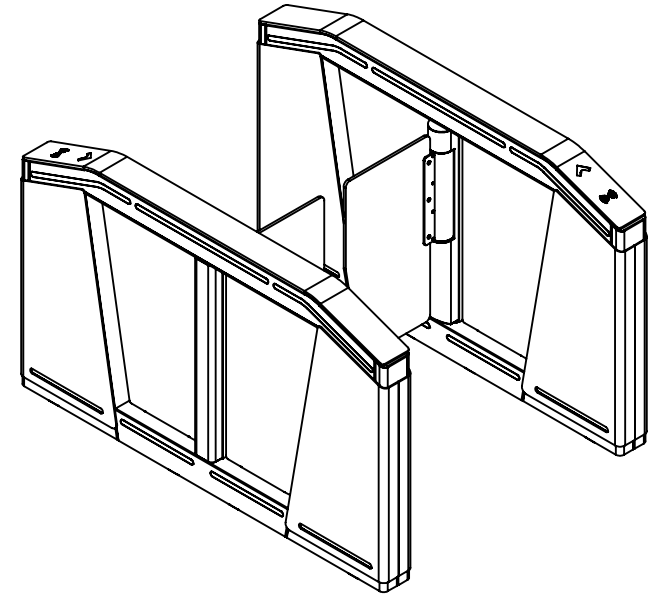
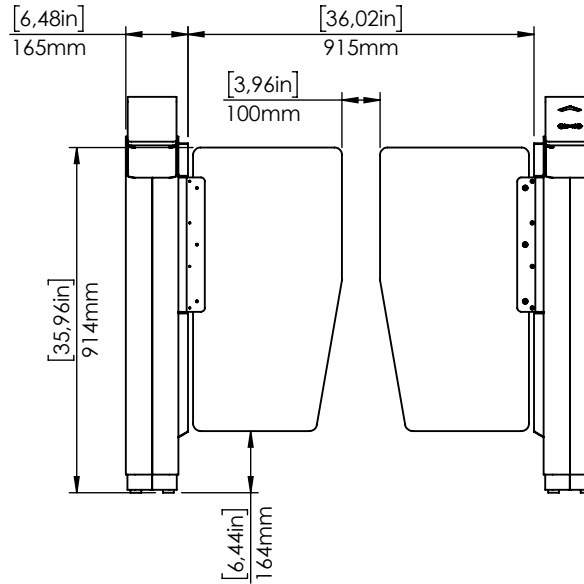
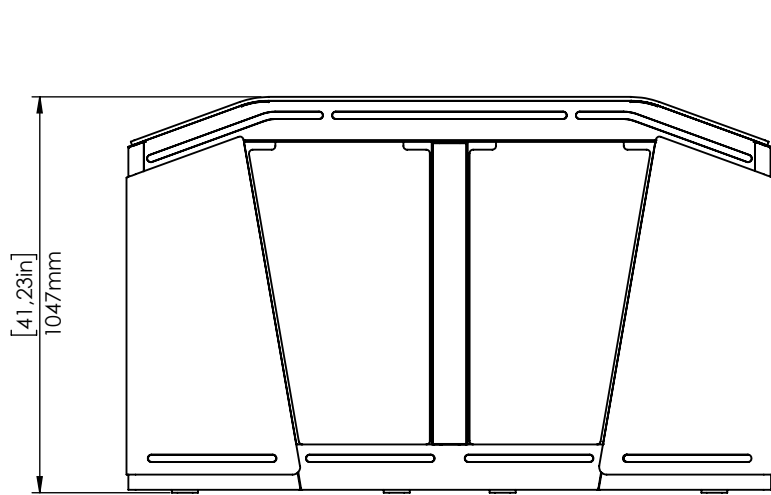
6

A

B

C

D



| | | | | | | | | | |
|---|--|-----------------|--|-------------------|--|-----------------------|--|-----------------------|--|
| ROUTE⇒ | | | | | | | | | |
| *UNLESS OTHERWISE SPECIFIED DIMENSIONS ARE IN MILLIMETERS | | | | Scale: 1:50 | | Unit:(mm) | | Weight : 264.01kg | |
| * UNLESS OTHERWISE SPECIFIED TOLERANCE CLASS IS ISO 2768-mK | | | | Type of Material: | | Part / Assembly Name: | | | |
| Name | | Date | | Signature | | Part / Assembly Code: | | Size of Row Material: | |
| Drawing by | | Gökhan KARACA | | 12.11.2020 | | VISION | | | |
| Checking by | | Kenan ERSOY | | | | Stock Card: | | PDM No: | |
| Approval | | Kenan ERSOY | | | | 20-113256 | | Revision Nr | |
| | | Last saved date | | 12.11.2020 | | Page | | Sheet Format | |
| | | | | 1-2 | | A4 | | | |

*The information which is in This technical drawing belong to TANSA. It can not be multiple as partially or completely without written permission of Tanas Güvenlik Sistemleri ve Sanayi Tic. A.Ş

Form No: F-23.03 Rev:02

* Do not take any measurement from the drawing page.

Release Date: 30.09.2019

Rev. Date: 18.09.2020

1

2

3

4

5

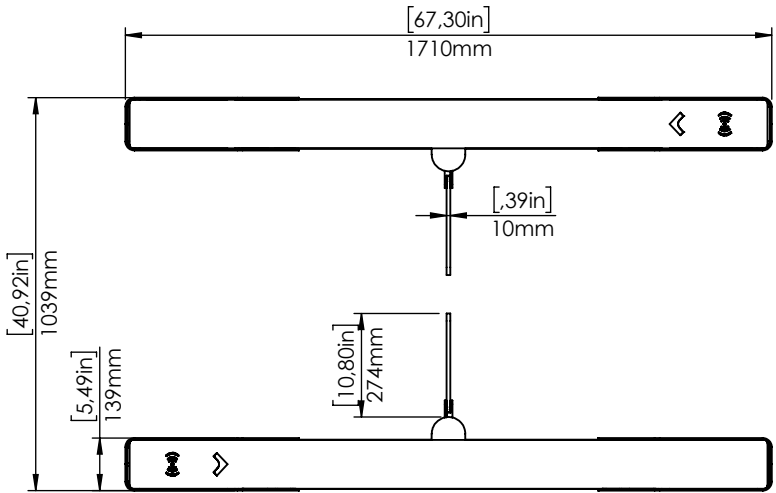
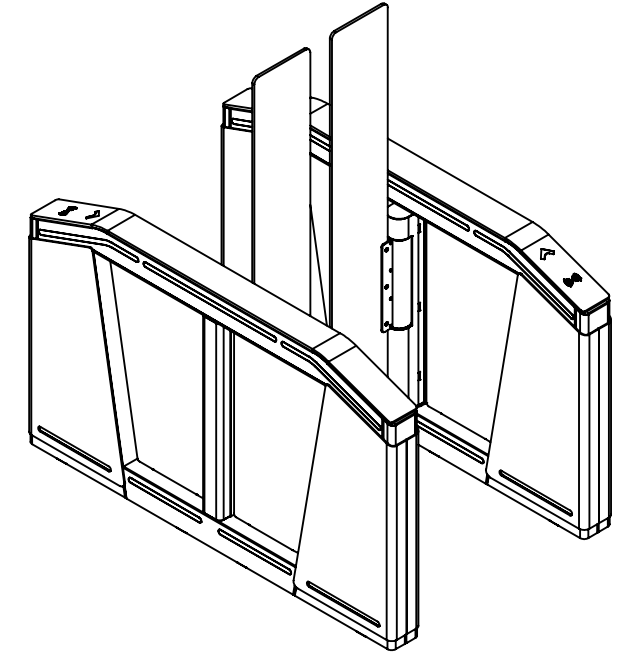
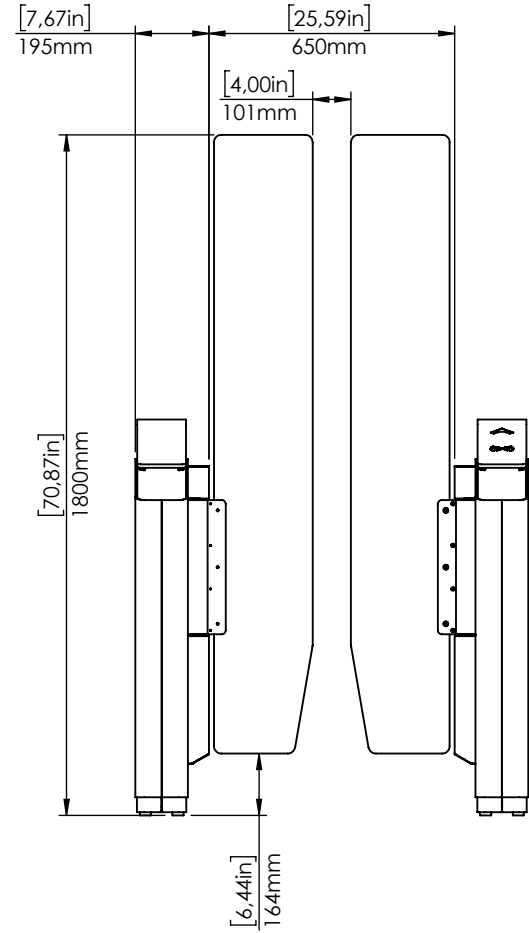
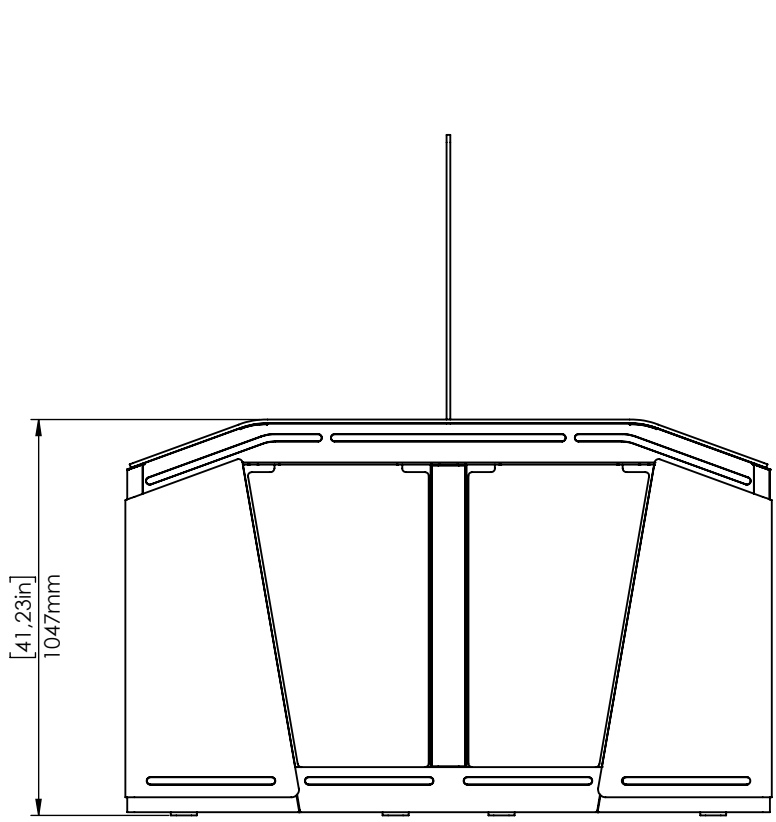
6

A

B

C

D



| | | | | | | | | | |
|---|---------------|------------|-----------------|-----------------------|------|-----------------------|-------------|----------|--------------|
| ROUTE⇒ | | | | | | | | | |
| *UNLESS OTHERWISE SPECIFIED DIMENSIONS ARE IN MILLIMETERS | | | | Scale: | 1:50 | Unit:(mm) | Weight : | 283.18kg | |
| * UNLESS OTHERWISE SPECIFIED TOLERANCE CLASS IS ISO 2768-mK | | | | Type of Material: | | | | | |
| | | | | Part / Assembly Name: | | | | | |
| | Name | Date | Signature | Part / Assembly Code: | | Size of Row Material: | | | |
| Drawing by | Gökhan KARACA | 12.11.2020 | | Vision | | | | | |
| Checking by | Kenan ERSOY | | | Stock Card: | | PDM No: | Revision Nr | Page | Sheet Format |
| Approval | Kenan ERSOY | | | | | 20-113256 | | 1-3 | A4 |
| | | | Last saved date | | | | | | |
| | | | 12.11.2020 | | | | | | |
| | | | | | | | | | |

*The information which is in this technical drawing belong to TANSA. It can not be multiple as partially or completely without written permission of Tanas Güvencik Sistemleri ve Sanayi Tic. A.Ş.

* Do not take any measurement from the drawing page.