

1

2

3

4

5

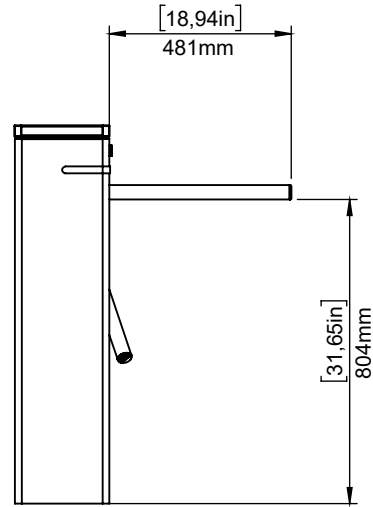
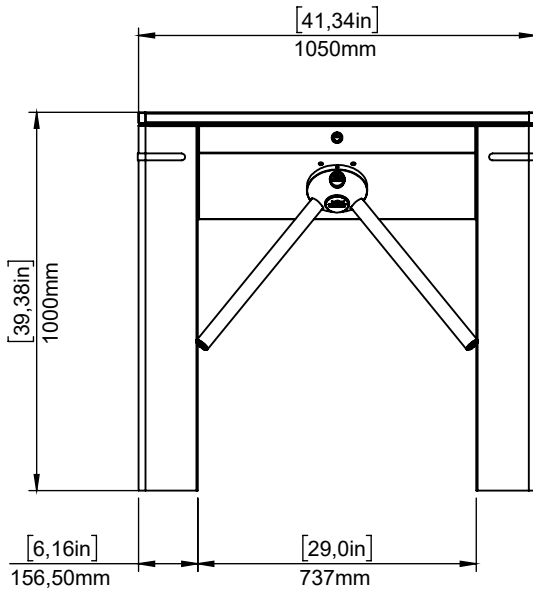
6

A

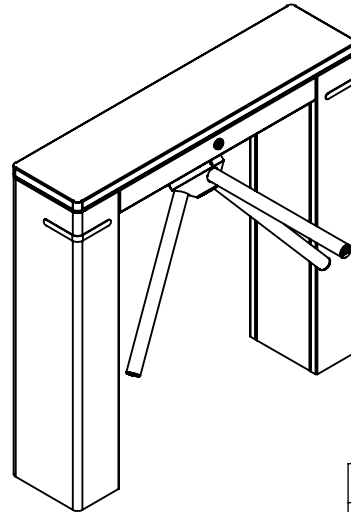
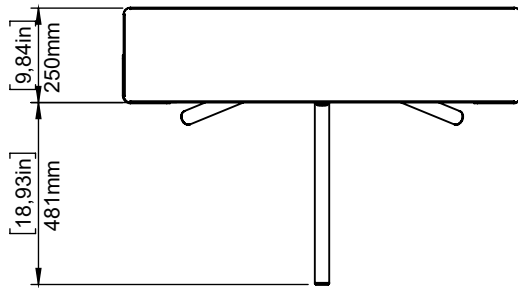
B

C

D



Durapod DT 100 BG / ST



ROUTE →					
*UNLESS OTHERWISE SPECIFIED DIMENSIONS ARE IN MILLIMETERS		Scale: 1:20	Unit:(mm)	Weight :	41.37kg
* UNLESS OTHERWISE SPECIFIED TOLERANCE CLASS IS ISO 2768-mK		Type of Material:	Part / Assembly Name:		
	Name	Date	Signature	Part / Assembly Code:	
Drawing by	Gökhan KARACA	9.11.2020		Size of Row Material:	
Checking by				Stock Card:	
Approval				PDM No:	Revision Nr
		Last saved date 9.11.2020 		20-112832	Page
				1-1	Sheet Format
				A4	

*The information which is in this technical drawing belong to TANSA. It can not be multiplied or partially or completely without written permission of Tanasa. Çiğdemlik, Sisitemler ve Sanat Sanayi T.Ş. A.