

1

2

3

4

5

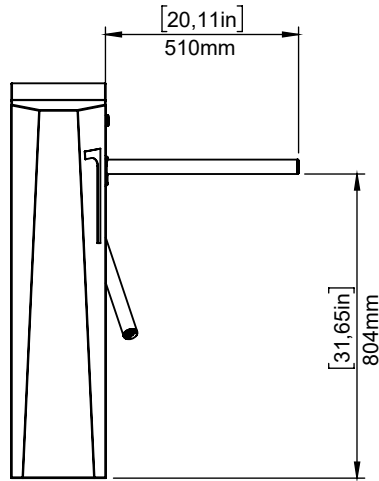
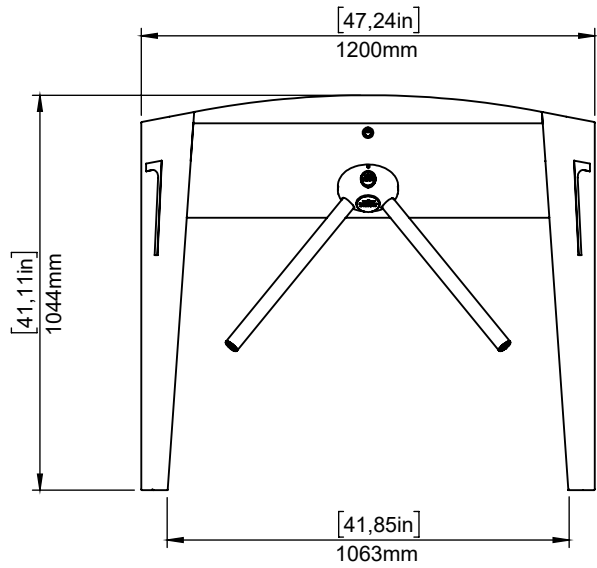
6

A

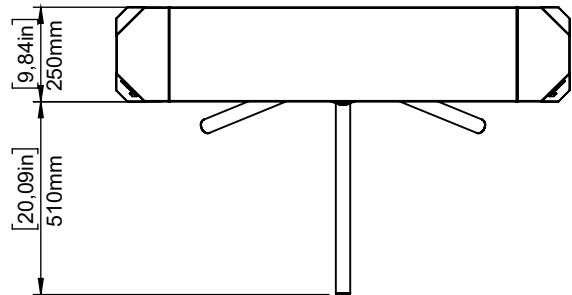
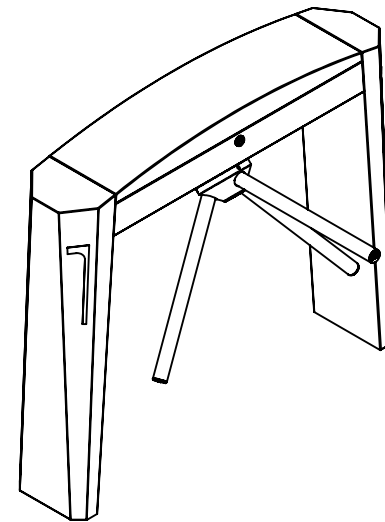
B


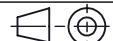
C

D



# Durapod DT 400



ROUTE >										
*UNLESS OTHERWISE SPECIFIED DIMENSIONS ARE IN MILLIMETERS						Scale:	1:20	Unit:(mm)	Weight :	kg
* UNLESS OTHERWISE SPECIFIED TOLERANCE CLASS IS ISO 2768-mK						Type of Material:				
						Part / Assembly Name:				
	Name	Date	Signature							
Drawing by	Gökhan KARACA	14.10.2020								
Checking by										
Approval				Part / Assembly Code:					Size of Row Material:	
				DURAPOD DT 400-00-00-00						
				Stock Card:		PDM No:		Revision Nr	Page	Sheet Format
						20-112792			1-1	A4
				Last saved date 16.12.2020						
										

The information which is in this technical drawing belong to TANSA. It can not be multiplied or partially or completely without written permission of Tanasa. Çiğdemli, Şişli, İstanbul, Türkiye.

Form No: Pp 23.03 Rev.02

\* Do not take any measurement from the drawing page.