

1

2

3

4

5

6

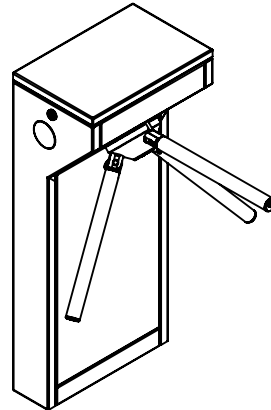
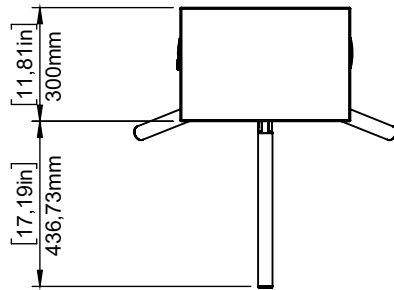
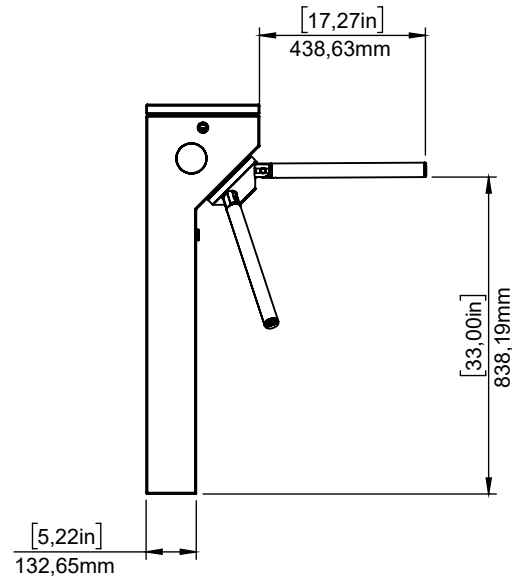
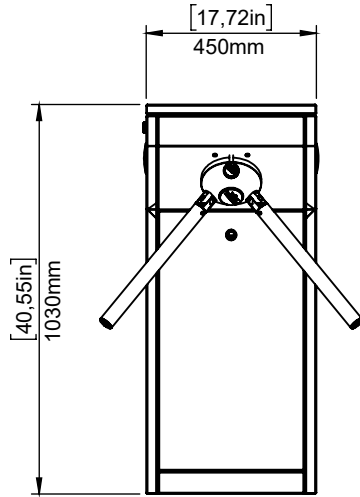
A


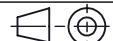
B

C

D

# Durapod DT 500



ROUTE →					
*UNLESS OTHERWISE SPECIFIED DIMENSIONS ARE IN MILLIMETERS		Scale: 1:20	Unit:(mm)	Weight :	35679.622kg
* UNLESS OTHERWISE SPECIFIED TOLERANCE CLASS IS ISO 2768-mK		Type of Material:	Part / Assembly Name:		
	Name	Date	Signature		
Drawing by	Caner DEM RKOL	2.10.2020			
Checking by	Kenan ERSOY				
Approval	Kenan ERSOY				
		Last saved date 9.11.2020		Part / Assembly Code: GER-LTT-313E-00-00 Stock Card:	
					
		PDM No:	Revision Nr	Page	Sheet Format
		20-97431		1-1	A4

\*The information which is in this technical drawing belongs to TANSA. It can not be multiplied, copied, or completely without written permission of Tanasa Gbirenk. Sistemler ve Saal Sanayi T. A.

Form No: FP 23.03 Rev.02

\* Do not take any measurement from the drawing page.