

1

2

3

4

5

6

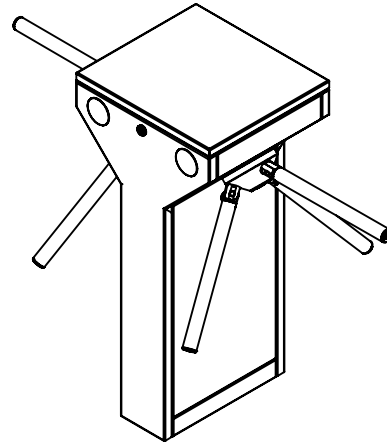
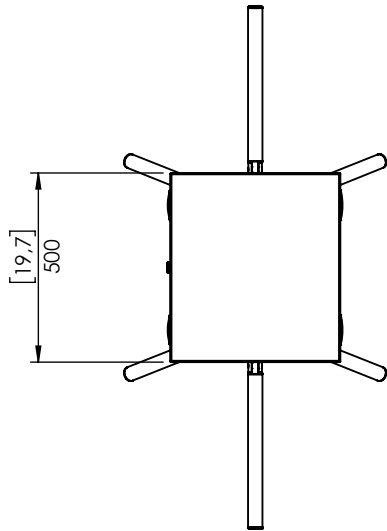
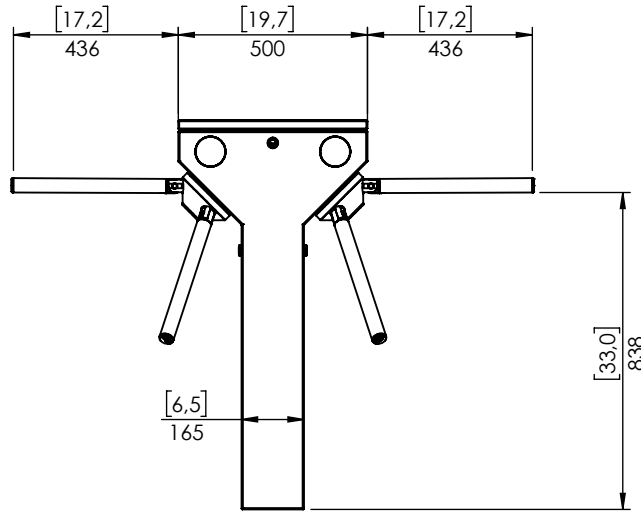
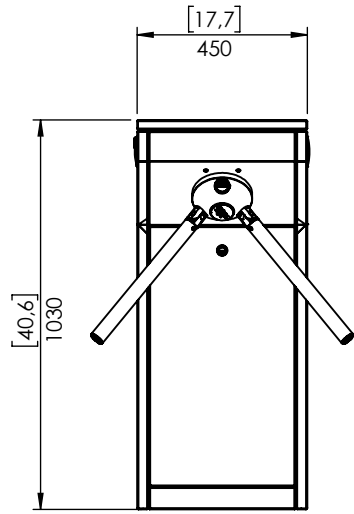
A

B



C

D

Durapod DT 520



*The information which is in this technical drawing belong to TANSA. It can not be multiplied as partially or completely without written permission of TanSA. Gecmisler ve Sat. Soruml. Tr. A.5

ROUTE⇒					
*UNLESS OTHERWISE SPECIFIED DIMENSIONS ARE IN MILLIMETERS		Scale: 1:20	Unit:(mm)	Weight :	72.60kg
* UNLESS OTHERWISE SPECIFIED TOLERANCE CLASS IS ISO 2768-mK		Type of Material:		Part / Assembly Name:	
	Name	Date	Signature		
Drawing by	Caner DEMİRKOL	13.10.2020			
Checking by	Kenan ERSOY				
Approval	Kenan ERSOY				
		Last saved date 9.11.2020		Part / Assembly Code:	
				313ED RENDER İÇİN MONTAJ	
Stock Card:				PDM No:	Revision Nr
		20-97450		1-1	A4

* Do not take any measurement from the drawing page.

Release Date: 30.09.2019

Rev. Date: 18.09.2020

Form No: PZ-23.03 Rev.02