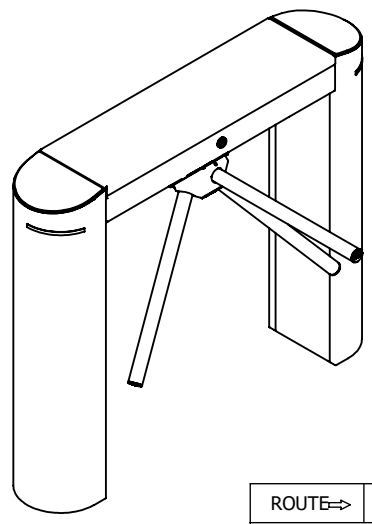
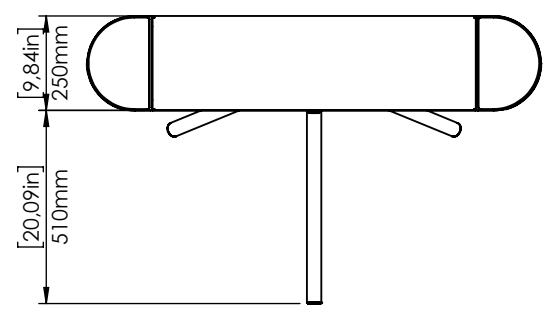


Durapod DT 350



*The information which is in this technical drawing belong to TANSA. It can not be multiplied, as partially, or completely, without written permission of TANSA. Gıvenlik Sistemleri ve Sat. Sanayi Tır. A.Ş.

ROUTE⇒						
*UNLESS OTHERWISE SPECIFIED DIMENSIONS ARE IN MILLIMETERS		Scale:	1:20	Unit:(mm)	Weight :	
* UNLESS OTHERWISE SPECIFIED TOLERANCE CLASS IS ISO 2768-mK		Type of Material:				
		Part / Assembly Name:				
	Name	Date	Signature			
Drawing by	Gökhan KARACA	1.10.2020				
Checking by						
Approval			Part / Assembly Code:		Size of Row Material:	
		Last saved date 16.12.2020				
				Stock Card:		
				PDM No:	Revision Nr	Page
		20-112854			1-1	A4

* Do not take any measurement from the drawing page.