

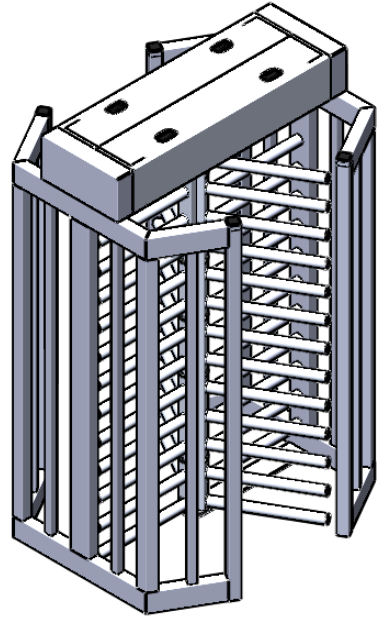
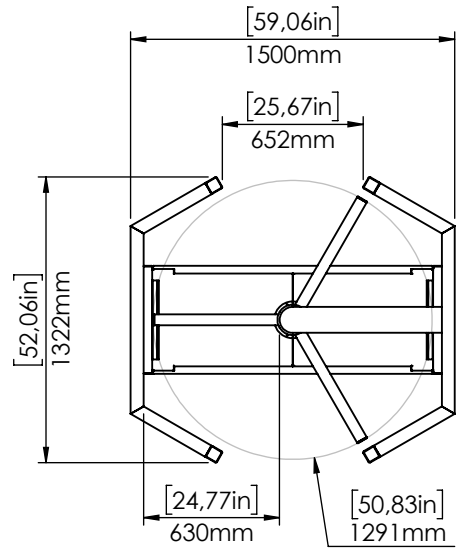
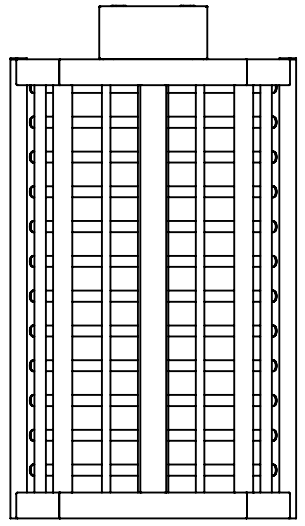
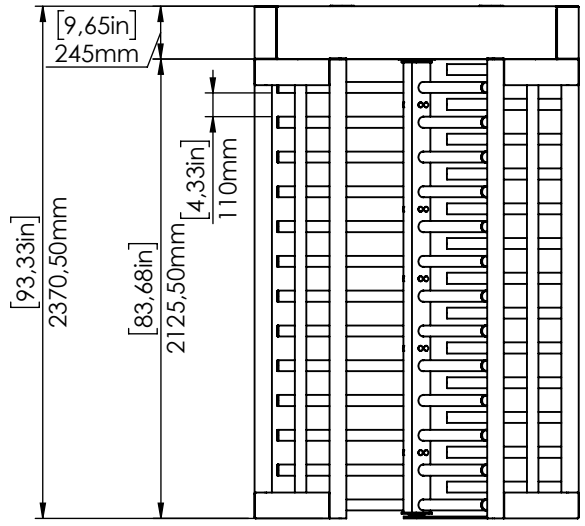
1 2 3 4 5 6

A

B

C

D



ROUTE⇒										
*UNLESS OTHERWISE SPECIFIED DIMENSIONS ARE IN MILLIMETERS				Scale:	1:50	Unit:(mm)	Weight :	159.06kg		
* UNLESS OTHERWISE SPECIFIED TOLERANCE CLASS IS ISO 2768-mK				Type of Material:						
				Part / Assembly Name:						
Name		Date		Signature						
Drawing by		Gökhan KARACA		27.11.2020						
Checking by										
Approval						Part / Assembly Code:		Size of Row Material:		
						MA631				
		Last saved date 25.03.2021 		Stock Card:		PDM No:		Revision Nr	Page	Sheet Format
						21-128157		A	1-1	A4

*The information which is in this technical drawing belong to TANSA. It can not be multiplied as partially or completely without written permission of TanSA. Gıvenlik Sistemleri ve Satış Servisi Tr. A.Ş.

* Do not take any measurement from the drawing page.

Form No: F23.03 Rev.02
Release Date: 30.09.2019 Rev. Date: 18.09.2020