

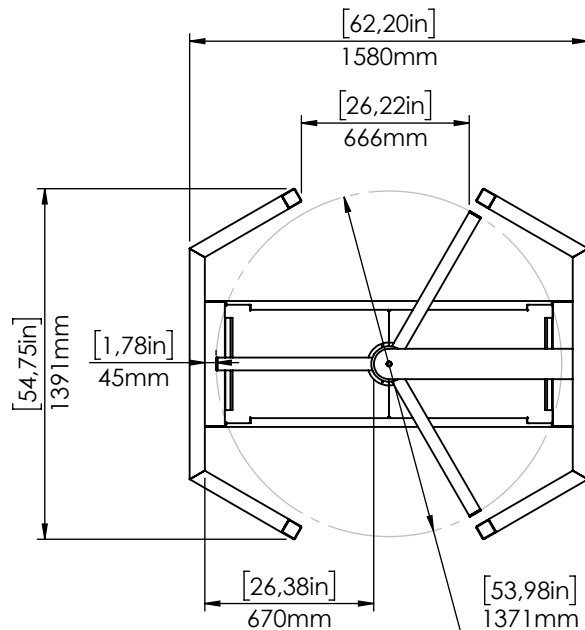
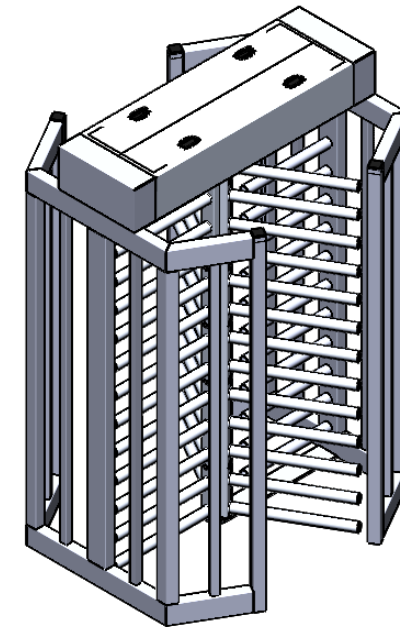
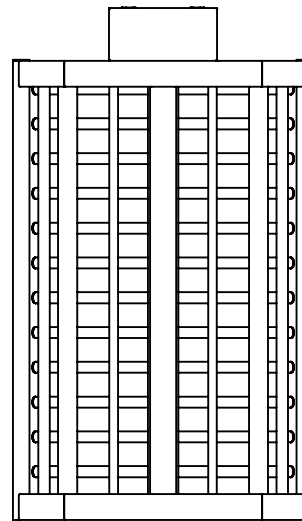
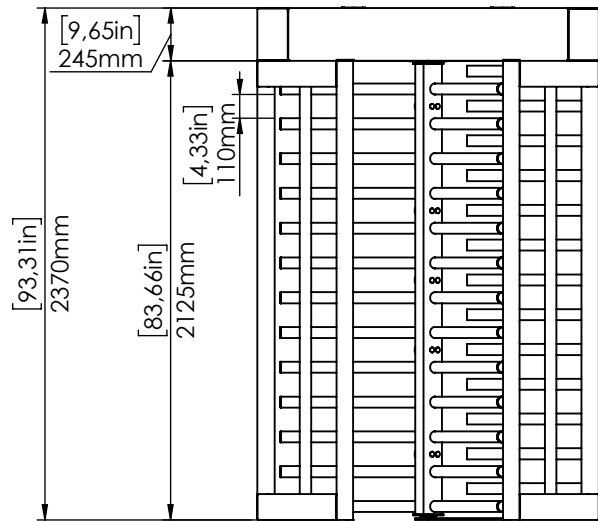
1 2 3 4 5 6



A

B

C

D



ROUTE⇒									
*UNLESS OTHERWISE SPECIFIED DIMENSIONS ARE IN MILLIMETERS		Scale: 1:50		Unit:(mm)					
* UNLESS OTHERWISE SPECIFIED TOLERANCE CLASS IS ISO 2768-mK		Type of Material:							
		Part / Assembly Name:							
Name		Date		Signature					
Drawing by		Gökhan KARACA		20.11.2020					
Checking by									
Approval									
Part / Assembly Code:		MA 671		Size of Row Material:					
Stock Card:		PDM No:		Revision Nr		Page		Sheet Format	
		21-118602				1-1		A4	
		Last saved date		29.01.2021					
									

*The information which is in this technical drawing belong to TANSA. It can not be multiplied as partially or completely without written permission of TanSA. Çizim No: 5541, Tr. A-5

Form No: F2-23.03 Rev: 02

* Do not take any measurement from the drawing page.

Release Date: 30.09.2019 Rev. Date: 18.09.2020