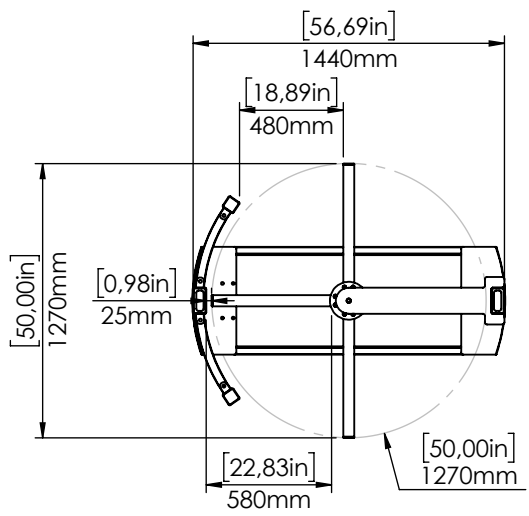
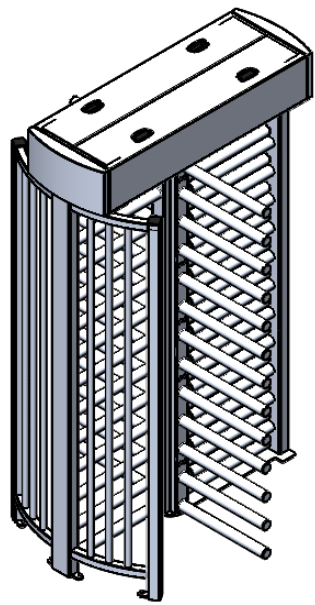
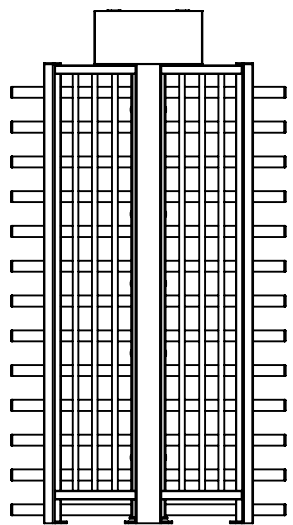
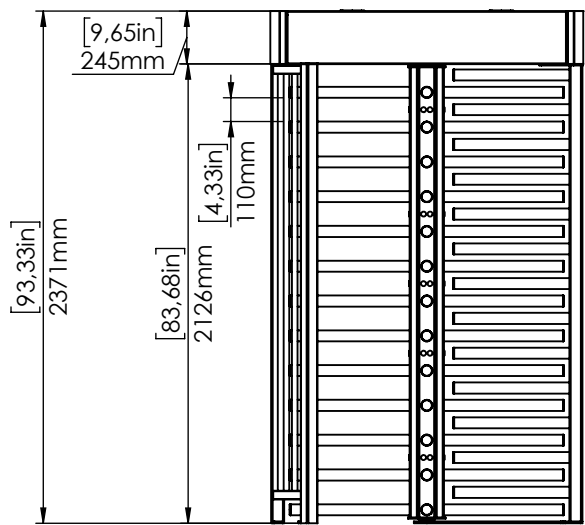


1 2 3 4 5 6

A
B
C
D

MAXIMA MR-F 580



ROUTE⇒									
*UNLESS OTHERWISE SPECIFIED DIMENSIONS ARE IN MILLIMETERS				Scale:	1:50	Unit:(mm)	Weight :	273.29kg	
* UNLESS OTHERWISE SPECIFIED TOLERANCE CLASS IS ISO 2768-mK				Type of Material:					
				Part / Assembly Name:					
Name		Date		Signature		Part / Assembly Code:		Size of Row Material:	
Drawing by		Gökhan KARACA		27.11.2020		MR 580			
Checking by						Stock Card:		PDM No:	
Approval						21-118705		Revision Nr	
				Last saved date		29.01.2021		Page	
								1-1	
								Sheet Format	
								A4	

*The information which is in this technical drawing belong to TANSA. It can not be multiplied as partially or completely without written permission of TANSA. Giresunliye Saat Sanayi Tr. A.Ş.

* Do not take any measurement from the drawing page.