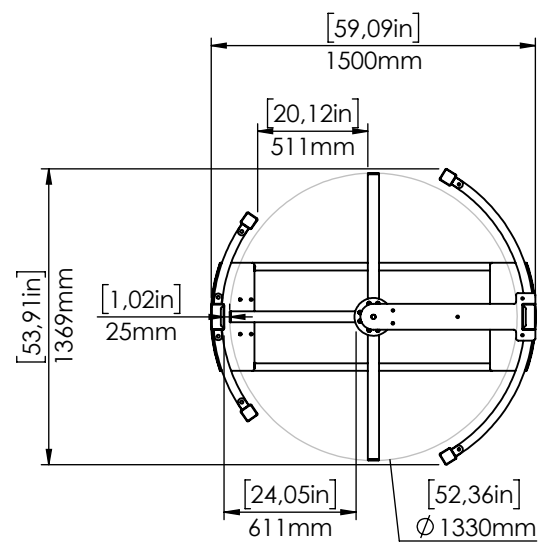
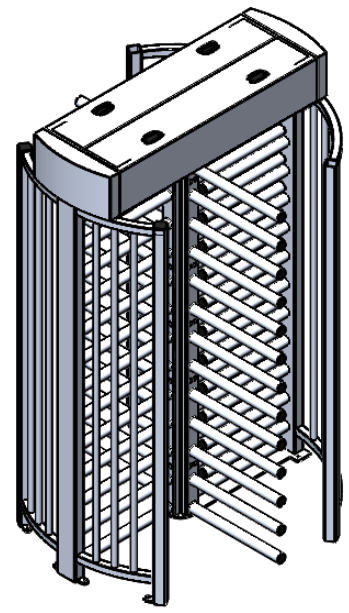
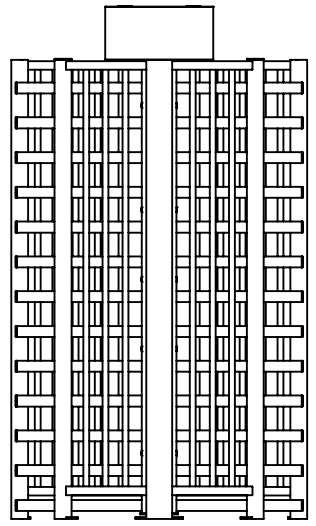
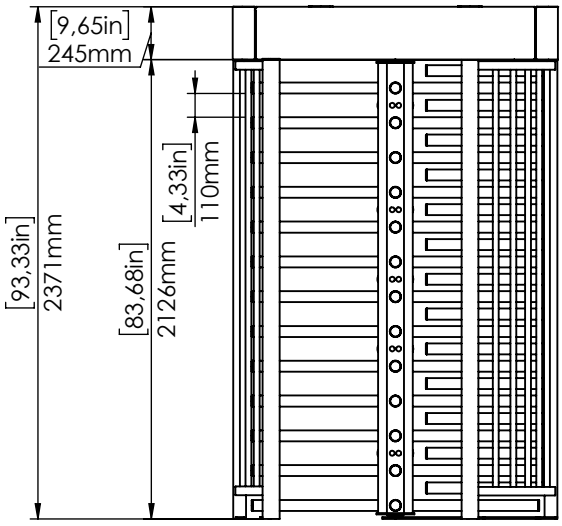


MAXIMA MR-F 611



ROUTE⇒								
*UNLESS OTHERWISE SPECIFIED DIMENSIONS ARE IN MILLIMETERS				Scale:	1:50	Unit:(mm)	Weight :	323.18kg
* UNLESS OTHERWISE SPECIFIED TOLERANCE CLASS IS ISO 2768-mK				Type of Material:				
				Part / Assembly Name:				
	Name	Date	Signature	Part / Assembly Code:		Size of Row Material:		
Drawing by	Gökhan KARACA	27.11.2020		MR611				
Checking by				MR 611				
Approval								
		Last saved date		PDM No:		Revision Nr	Page	Sheet Format
		29.01.2021		21-118739			1-1	A4

*The information which is in this technical drawing belong to TANSA. It can not be multiplied as partially or completely without written permission of TanSA. Çiğdemliye Sok. Saraylı Tr. A.5

* Do not take any measurement from the drawing page.

Release Date: 30.09.2019 Rev. Date: 18.09.2020

Form No: FP-23.03 Rev:02