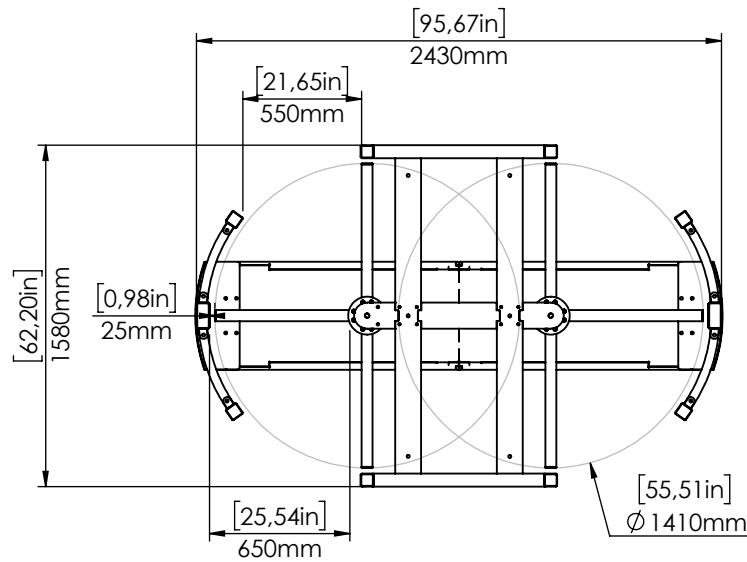
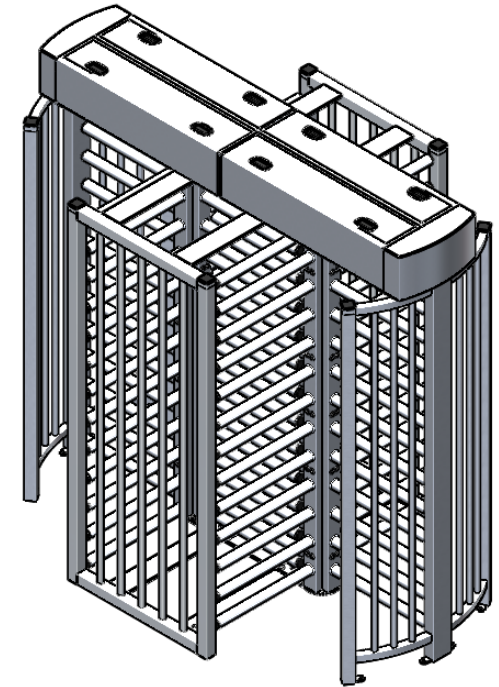
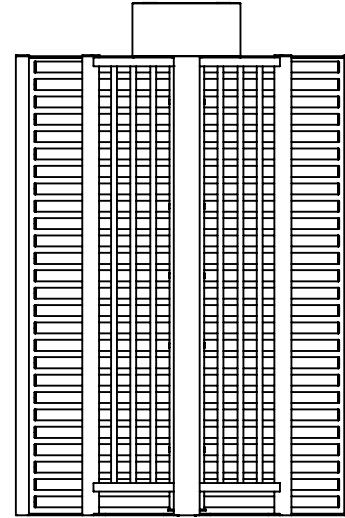
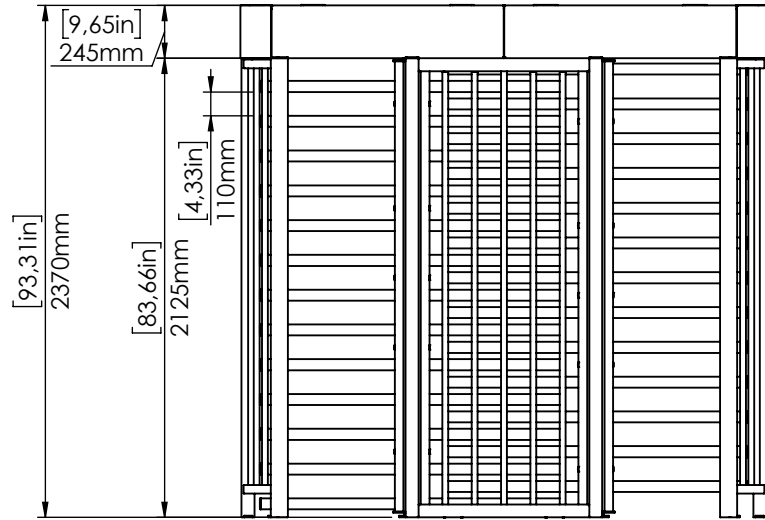




MAXIMA MR-F 652



ROUTE⇒		Scale:	1:50	Unit:(mm)	Weight :
*UNLESS OTHERWISE SPECIFIED DIMENSIONS ARE IN MILLIMETERS		Type of Material:			
* UNLESS OTHERWISE SPECIFIED TOLERANCE CLASS IS ISO 2768-mK		Part / Assembly Name:			
Name	Date	Signature		Part / Assembly Code:	
Drawing by	Gökhan KARACA	19.11.2020		MR652	
Checking by				Size of Row Material:	
Approval					
		Last saved date		Revision Nr	
		29.01.2021		Page	
		Stock Card:		Sheet Format	
		PDM No:		A4	
		21-118795		1-1	

*The information which is in this technical drawing belong to TANSA. It can not be multiplied as partially or completely without written permission of TanSA. Sistemleri ve Sat. Servis. Tr. A.Ş.

* Do not take any measurement from the drawing page.

Release Date: 30.09.2019

Rev. Date: 18.09.2020

Form No: F-23.03 Rev: 02