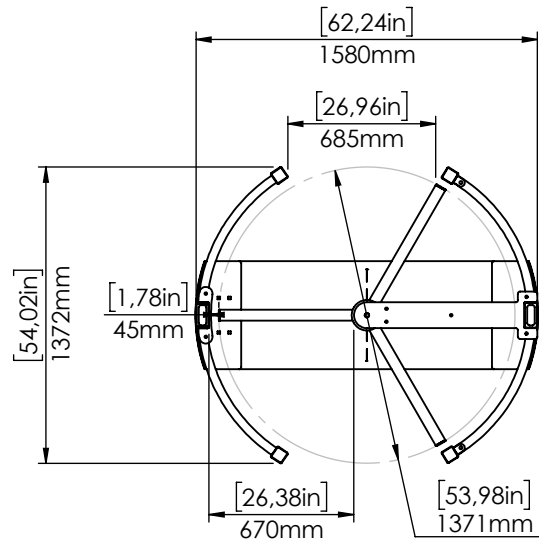
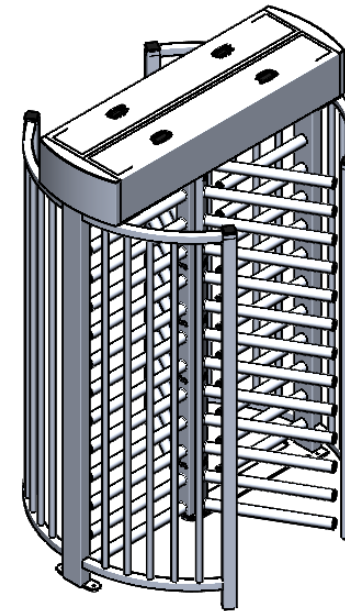
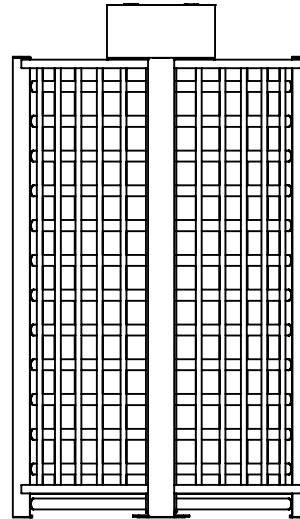
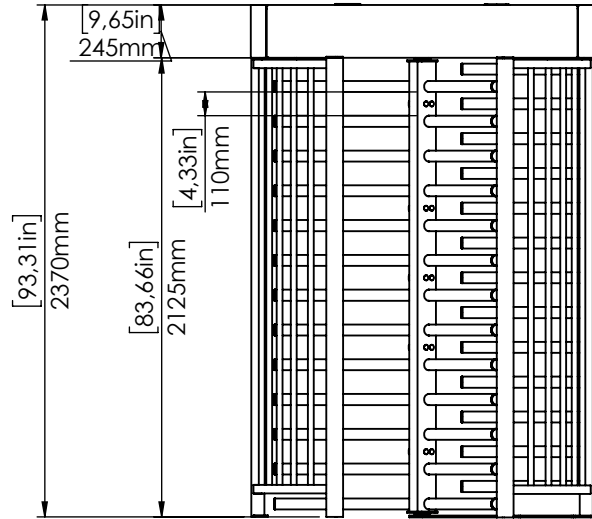




# MAXIMA MR-T 671



ROUTE⇒		Scale: 1:50		Unit:(mm)	
*UNLESS OTHERWISE SPECIFIED DIMENSIONS ARE IN MILLIMETERS		Type of Material:			
* UNLESS OTHERWISE SPECIFIED TOLERANCE CLASS IS ISO 2768-mK		Part / Assembly Name:			
Name	Date	Signature		Part / Assembly Code:	
Drawing by	Gökhan KARACA	20.11.2020		MR671	
Checking by				Size of Row Material:	
Approval					
		Last saved date		PDM No:	
		29.01.2021		21-118812	
		Stock Card:		Revision Nr	Page
				1-1	A4

\*The information which is in this technical drawing belong to TANSA. It can not be multiplied as partially or completely without written permission of TanSA. Sistemleri ve Satış Sorumlusu TanSA. Tr. A.Ş.

Form No: F23.03 Rev.02

\* Do not take any measurement from the drawing page.

Release Date: 30.09.2019 Rev. Date: 18.09.2020