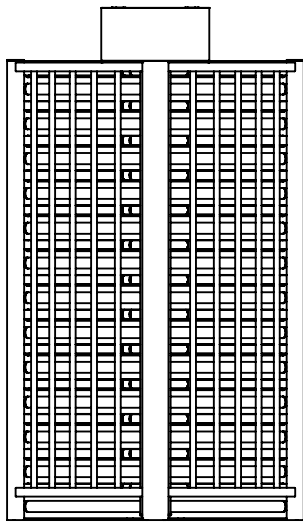
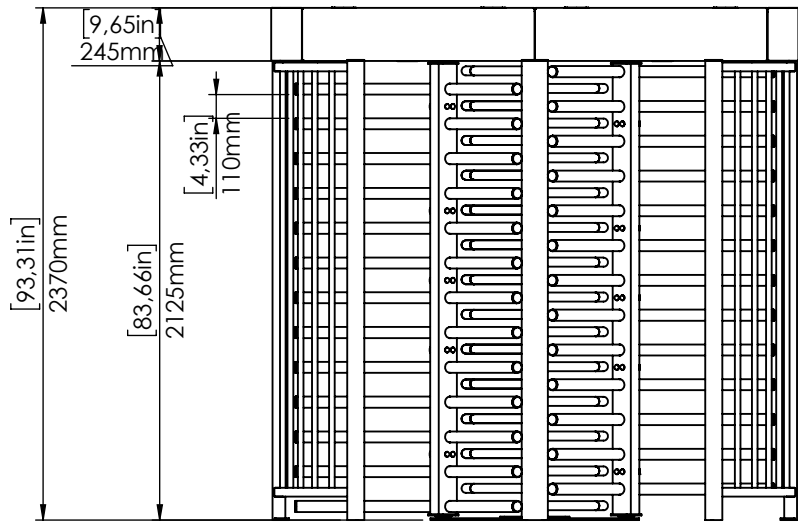
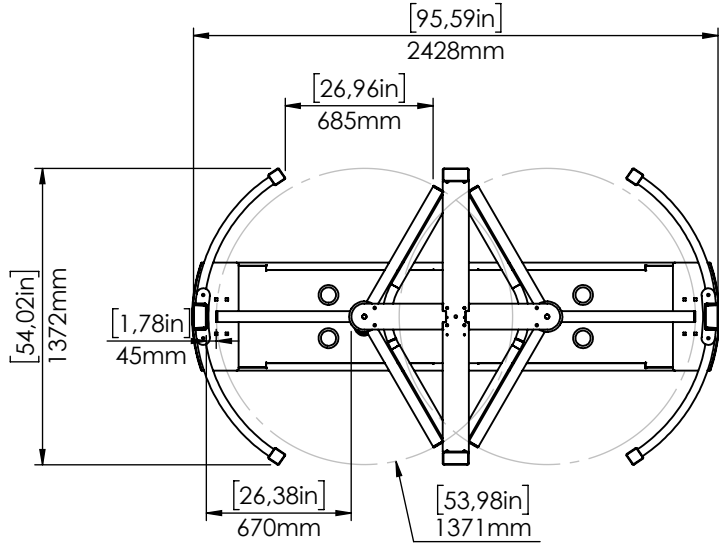
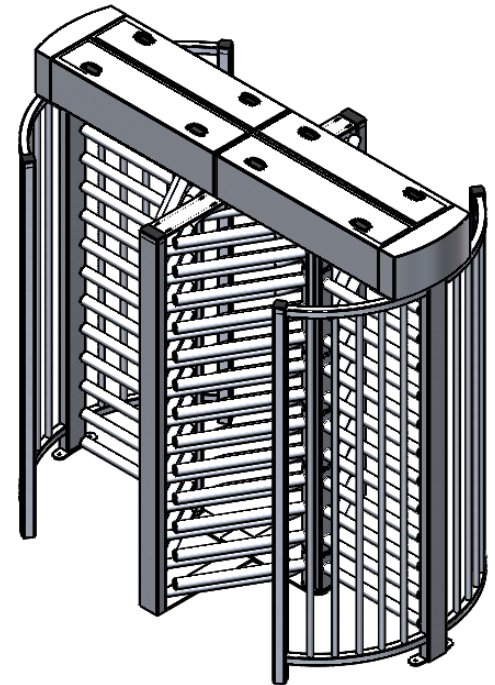




1 2 3 4 5 6

A
B
C
D



MAXIMA MR-T 672



ROUTE⇒									
*UNLESS OTHERWISE SPECIFIED DIMENSIONS ARE IN MILLIMETERS		Scale:	1:50	Unit:(mm)	Weight :				
* UNLESS OTHERWISE SPECIFIED TOLERANCE CLASS IS ISO 2768-mK		Type of Material:		Part / Assembly Name:					
Name		Date		Signature		Part / Assembly Code:		Size of Row Material:	
Drawing by Gökhan KARACA		19.11.2020				MR672			
Checking by						Stock Card:		PDM No:	
Approval								21-118817	
		Last saved date 29.01.2021				Revision Nr		Page	
						1-1		Sheet Format A4	

*The information which is in this technical drawing belong to TANSA. It can not be multiplied as partially or completely without written permission of TanSA. Gıvenlik Sistemleri ve Sat. Sanayi Tic. A.Ş.

* Do not take any measurement from the drawing page.