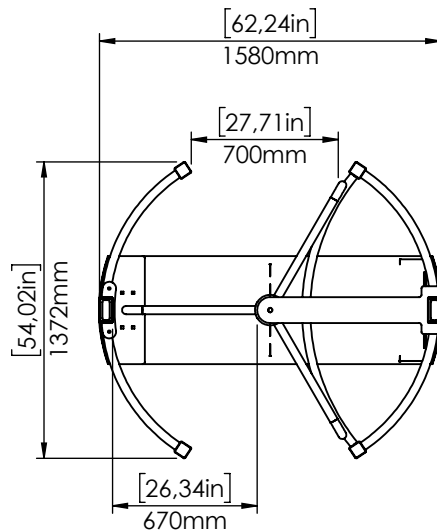
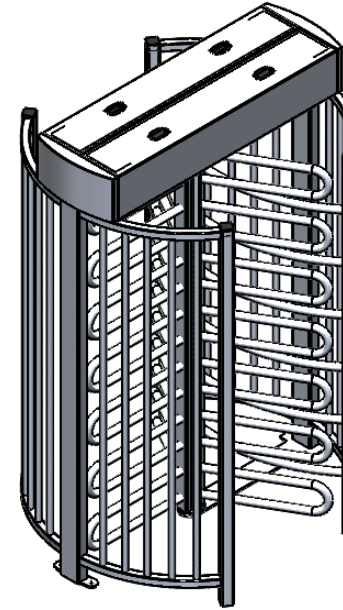
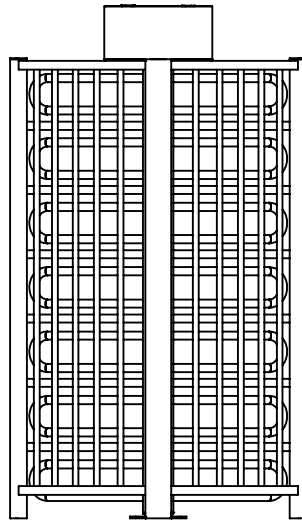
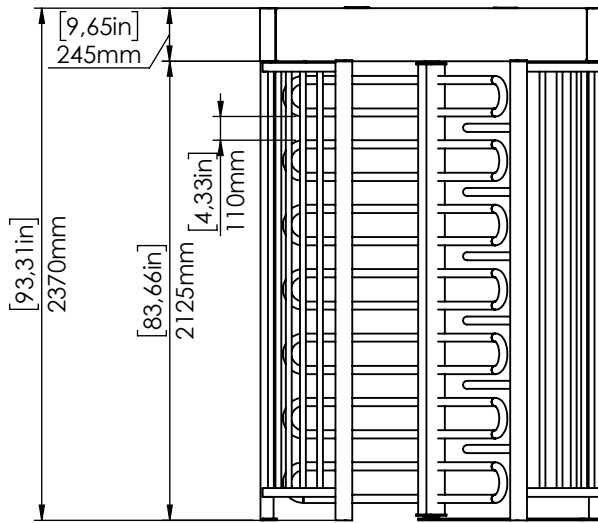

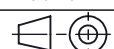


# MAXIMA MR-T 673



ROUTE⇒							
*UNLESS OTHERWISE SPECIFIED DIMENSIONS ARE IN MILLIMETERS		Scale:	1:50	Unit:(mm)	Weight :	296.35kg	
* UNLESS OTHERWISE SPECIFIED TOLERANCE CLASS IS ISO 2768-mK		Type of Material:		Part / Assembly Name:			
	Name	Date	Signature				
Drawing by	Gökhan KARACA	4.12.2020					
Checking by							
Approval			Part / Assembly Code:		Size of Row Material:		
			MR 673				
	Last saved date		29.01.2021				
			Stock Card:		PDM No:	Revision Nr	Page
				21-118826		1-1	A4

\*The information which is in This technical drawing belong to TANSA. It can not be multiplied as partially or completely without written permission of Tanas Güvencilik Sistemleri ve Sanayi Tic. A.Ş.

Form No: F23.03 Rev.02

\* Do not take any measurement from the drawing page.

Release Date: 30.09.2019

Rev. Date: 18.09.2020