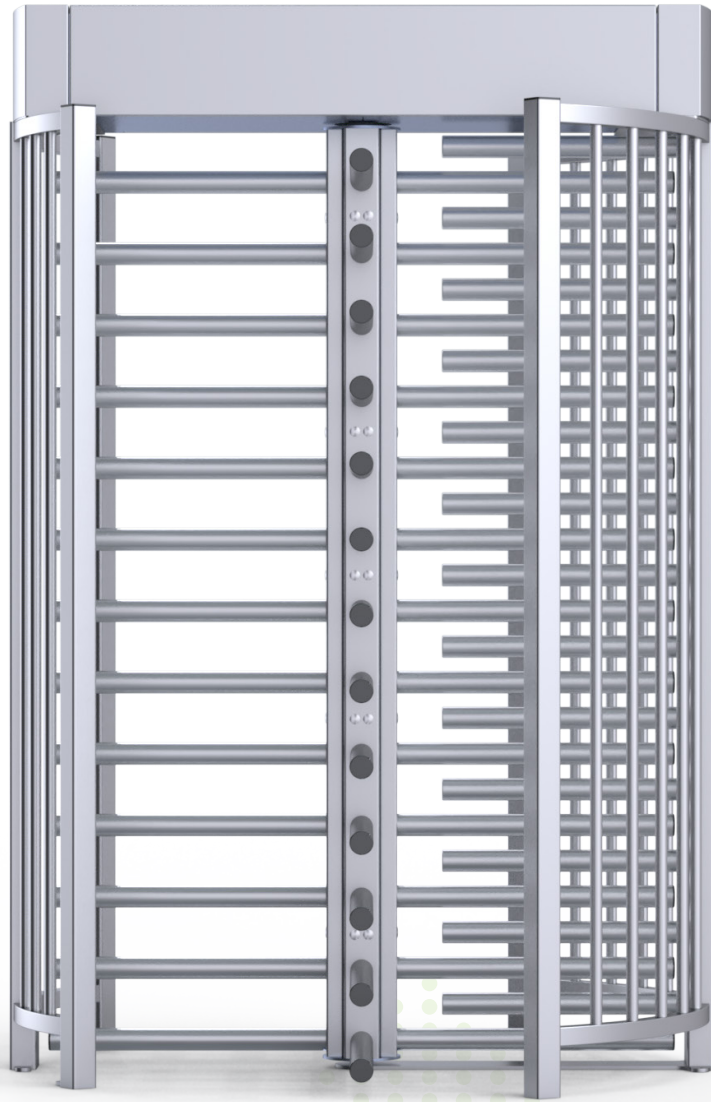


Full Height Turnstiles

MAXIMA MR-F 651 / 611 / 581

Extremely robust and water resistant, 4 section full height turnstiles in stainless steel; hot-dipped galvanized or galvanized plus powder coated finish. Bi-directional, logic controlled. Hand operated and motor driven with electro-magnetic lock options available.



Full Height Turnstiles

MAXIMA

FEATURES

- Portal and housing made of steel
- Portal turnstile, four-part rotor blade with spars, 90° division
- As standard with 13 rod-shaped crossbars with plastic caps on each section of the rotor. Arm diameter 51mm
- Rotor with 13 rod-shaped bars made of steel
- Limitation of passage: with steel filler rods
- Unidirectional or bidirectional operation
- Completely assembled or disassembled delivery as a kit for easier transport or for places that are difficult to access.
- Lockable maintenance lid with top and side opening for easy maintenance and installation in areas with low ceilings.
- In addition to the turnstile: Motorized or manually operated pedestrian door in full height (bi-directional)

DRIVE MECHANISM OPTIONS

- Elektromechanic / Hand operated
- BLDC Motor-driven
- A self centring mechanism to ensure complete rotation of the mechanism to the home position.
- A hydraulic damper to ensure smooth operation
- Anti backup device to prevent reverse rotation once the mechanism has moved 30 degrees from the home position
- Fail-safe operation as standard. (Optional fail-locked)

FUNCTIONS & INTERFACE

- Logic controlled interface, bi-directional operation
- Entrance and exit directions can be individually set as controlled, locked or free before or after the installation.
- In controlled access mode, after release confirmation which was sent by access control system, the turnstile unlocks the released direction and enables one person access in the direction of travel. After each person, the turnstile rotor blocks passage again and does not permit access from both entrance and exit directions until receiving a new release signal from the access control system.
- After the release, the turnstile blocks itself after an adjusted time if no transition or passage occurs.
- If people from both directions would like to pass through simultaneously, the first person who activates the turnstile takes precedence.
- **Multiple opening:** An additional person is able to release the next passage cycle during an ongoing passage cycle in both directions. The turnstile controller stores up to 255 releases and lets corresponding number of individuals pass through.
- Relay outputs for counting passage in either direction
- RS 232 serial port
- Control for inputs and outputs via potential-free contact

EMERGENCY & POWER CUT

In the event of emergency or power-cut the mechanism unlocks the rotor and the rotor rotates freely in both directions. The turnstile reset itself automatically when the emergency alarm stops or the power is switched back on.

LED INDICATORS

LED lights indicates the operating status of the turnstile in both directions.

	Option-1	Option-2
Green	Standby or locked	Released or free passage
Red	Released or free passage	Standby or locked

SETTINGS

Operation mode for each directions	: Controlled / Free / Locked
Acoustic Notifications	: On/Off
Release time out	: 5-10-15-20 secs
Consecutive passage	: On/Off
Emergency connection	: On/Off
LED Indicator options	: Option-1 / Option-2

SPECIFICATIONS:

Construction: Steel
Passage width: 650 / 610 / 580 mm
Weight: 290 / 320 Kg
Power Supply: 100 - 240 VAC, 50/60 Hz
Logic Voltage: 24V DC
Standby power consumption: 12 W
Operation Temperature: -10 ° / +70 °
IP Protection: Cabinet IP54 / Logic Controller IP65

MATERIAL OPTIONS

- Galvanized
- Galvanized + Powder coated
- AISI 304 Stainless steel
- AISI 316 Stainless steel
- Stainless steel rotor & Powder coated frame

ACCESSORIES:

- Access Controller mounting plate
 - Access Controller Box
 - Ceiling lights
 - LED indicators
 - Heating kit for -40 degrees
 - Roof & Canopy
 - Tempered glass side panels
 - Mounting plate (suitable for forklift transport)
 - Mounting frame for pre-installation into concrete
 - Back-up battery 7A
 - Access controller integration options
- (Please contact with sales representative for full list of options and accessories)

Full Height Turnstiles

MAXIMA

MR-F 651

MR-F 611

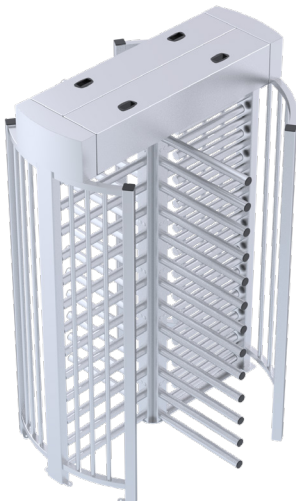
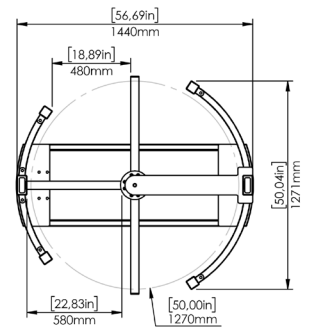
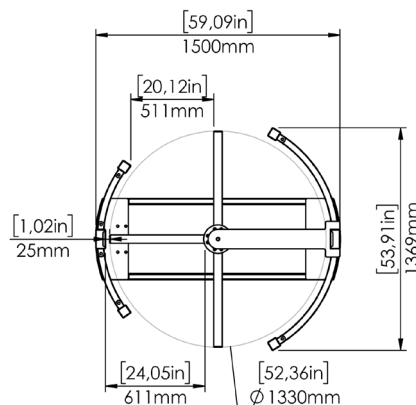
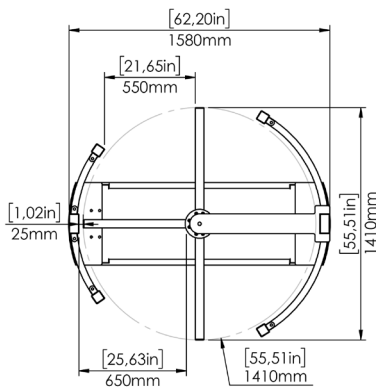
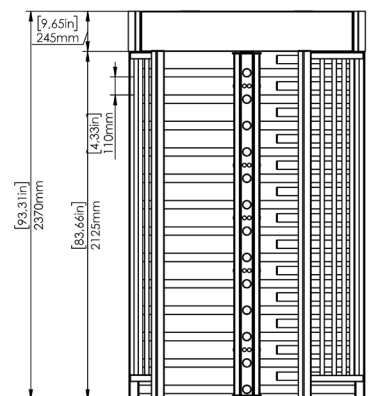
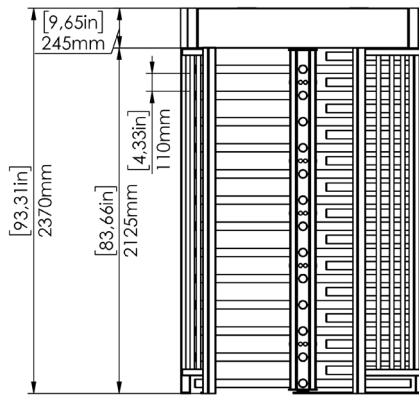
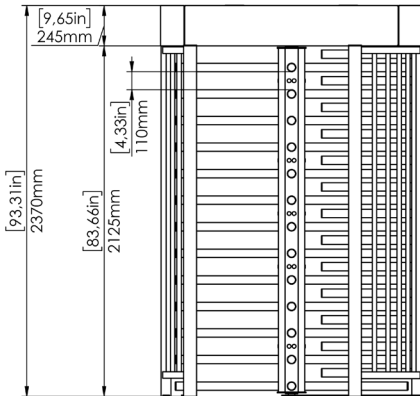
MR-F 581

Rotor:	4 sectional (90°) and 13 horizontal arms in 51 mm diameter in each section	4 sectional (90°) and 13 horizontal arms in 51 mm diameter in each section	4 sectional (90°) and 13 horizontal arms in 51 mm diameter in each section
Complete Height:	2370 mm / 93,31" (Standard) 2460 mm / 96,85" (Motor driven)	2370 mm / 93,31" (Standard) 2460 mm / 96,85" (Motor driven)	2370 mm / 93,31" (Standard) 2460 mm / 96,85" (Motor driven)
Complete Width:	1580 mm / 62,20"	1500 mm / 59,09"	1440 mm / 56,69"
Passage Height:	2125 mm / 83,66"	2125 mm / 83,66"	2125 mm / 83,66"
Passage Widht:	650 mm / 25,54"	610 mm / 24,01"	580 mm / 22,83"
Entrance Widht:	550 mm / 21,65"	510 mm / 20,08"	480 mm / 18,89"

MR-F 651

MR-F 611

MR-F 581






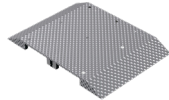
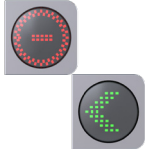
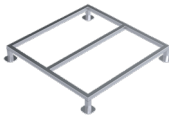
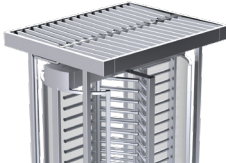
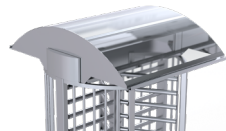


Service cover with top and side opening for easy maintenance and installation in areas with low ceilings.

Full Height Turnstiles

MAXIMA Options



<p>A-1</p>  <p>Access Controller mounting plate</p>	<p>E</p>  <p>Tempered glass side panels</p>
<p>A-2</p>  <p>Access Controller Box 100 x 100 mm with 60 mm depth 60 x 160 mm with 60 mm depth 150 x 200 mm with 60 mm depth</p>	 <p>Extreme weather heater for - 40°</p>
<p>B</p>  <p>LED Ceiling lights</p>	 <p>Mounting plate (suitable for forklift transport)</p>
<p>C</p>  <p>LED Indicators</p>	 <p>Mounting frame for pre-installation into concrete</p>
<p>D-1</p>  <p>Aluminium Roof</p>	
<p>D-2</p>  <p>Polycarbonate Canopy</p>	