

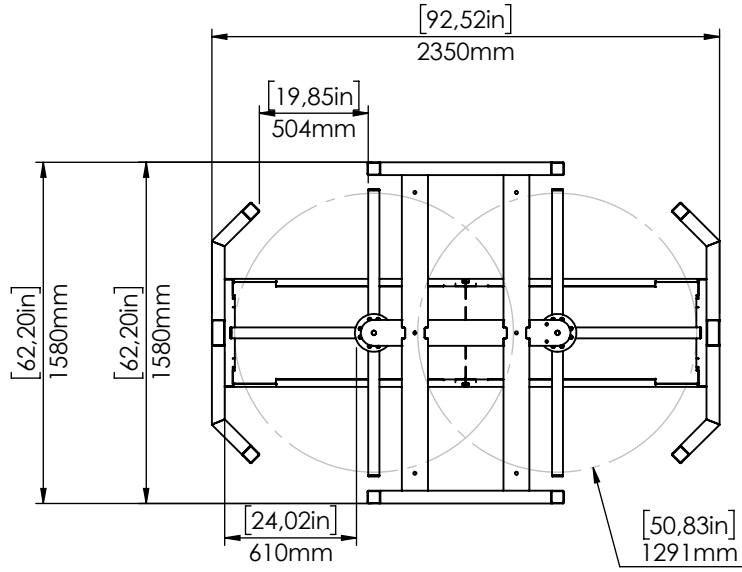
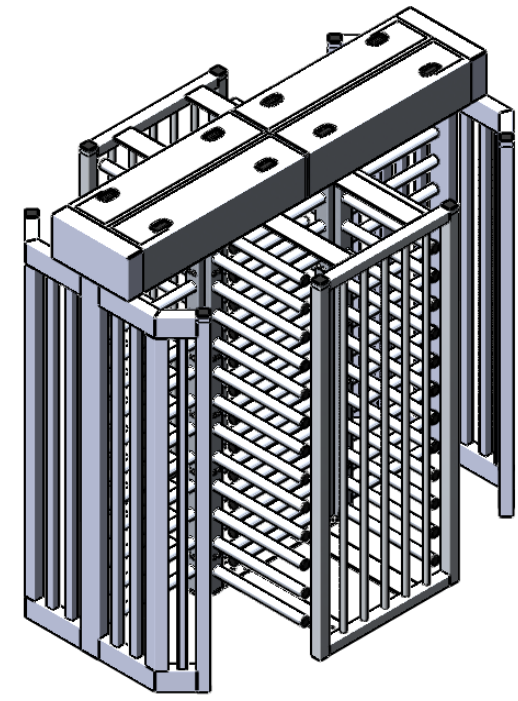
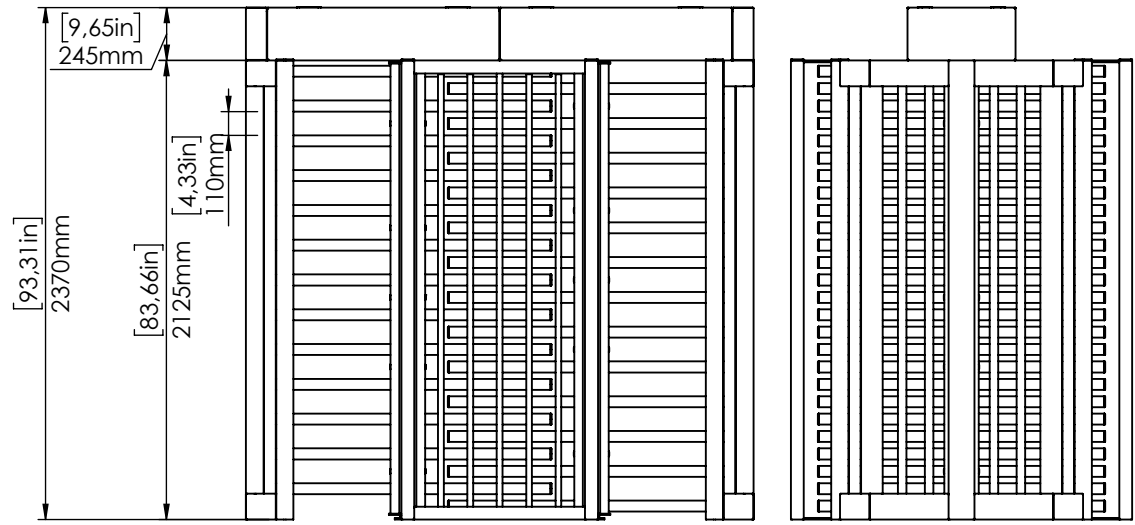
1 2 3 4 5 6


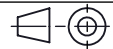
A

B

C

D



ROUTE⇒										
*UNLESS OTHERWISE SPECIFIED DIMENSIONS ARE IN MILLIMETERS		Scale:	1:50	Unit:(mm)	Weight :	536.18kg				
* UNLESS OTHERWISE SPECIFIED TOLERANCE CLASS IS ISO 2768-mK		Type of Material:								
		Part / Assembly Name:								
Name	Date	Signature								
Drawing by	Gökhan KARACA	10.12.2020								
Checking by										
Approval										
		Part / Assembly Code:			Size of Row Material:					
		MA 612								
		Stock Card:		PDM No:		Revision Nr		Page		Sheet Format
				21-118587				1-1		A4
		Last saved date								
		17.02.2021								
										

\*The information which is in this technical drawing belong to TANSA. It can not be multiplied as partially or completely without written permission of TanSA. Genetik Sistemleri ve Sat. Servis. Tr. A.Ş.

Form No: F-23.03 Rev.02

\* Do not take any measurement from the drawing page.

Release Date: 30.09.2019 Rev. Date: 18.09.2020