

*The information which is in this technical drawing belong to TANSA. It can not be multiplied as partially or completely without written permission of TanSA. Çizimlerin ve Satış Sorularının TanSA'ya Gönderilmesi Zorunludur.

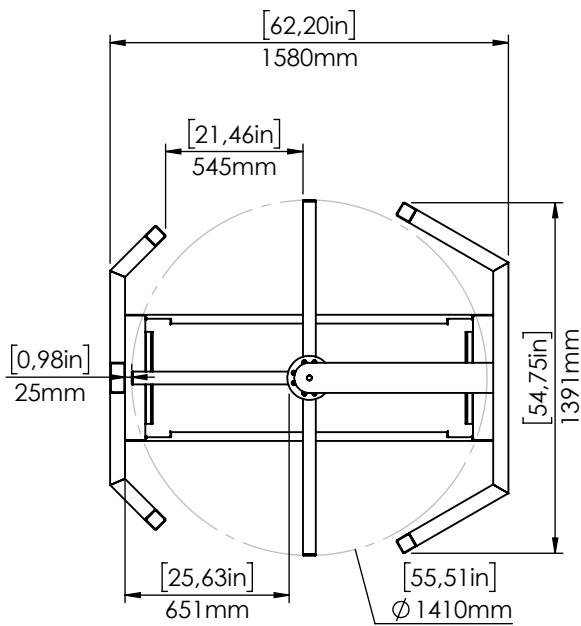
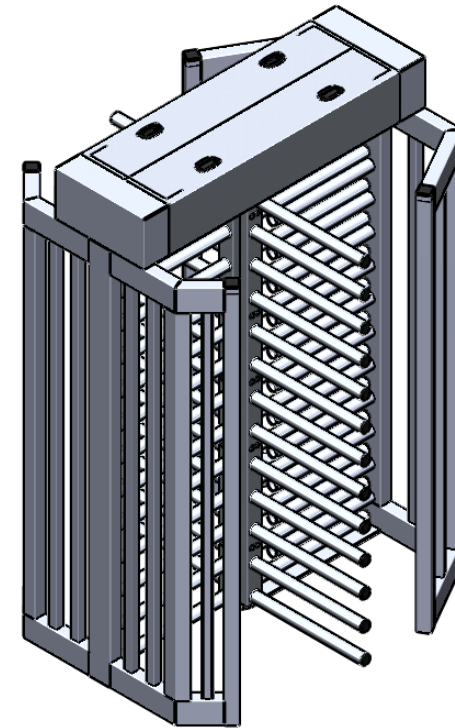
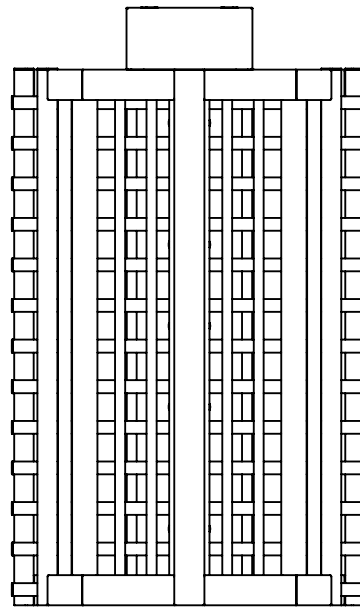
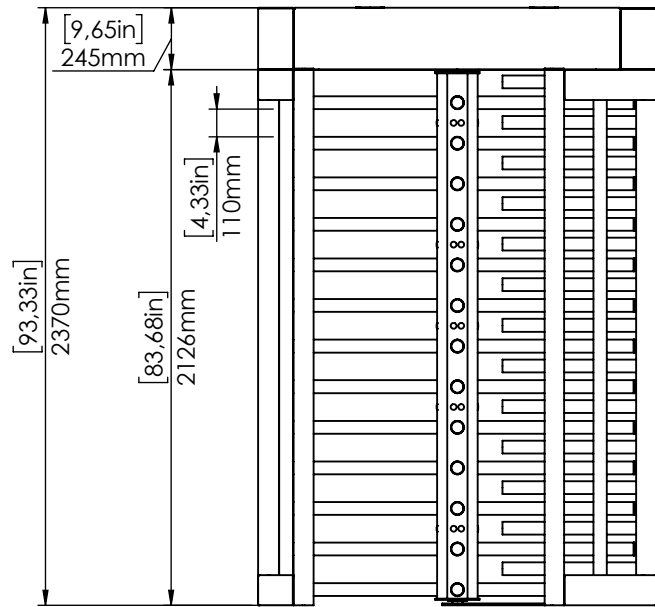
1 2 3 4 5 6



A

B

C

D



ROUTE⇒									
*UNLESS OTHERWISE SPECIFIED DIMENSIONS ARE IN MILLIMETERS		Scale: 1:50		Unit:(mm)					
* UNLESS OTHERWISE SPECIFIED TOLERANCE CLASS IS ISO 2768-mK		Type of Material:							
		Part / Assembly Name:							
Name		Date		Signature					
Drawing by		Gökhan KARACA		20.11.2020					
Checking by									
Approval									
Part / Assembly Code:		MA651		Size of Row Material:					
Stock Card:		PDM No:		Revision Nr		Page		Sheet Format	
		21-118599				1-1		A4	
		Last saved date		29.01.2021					
									

* Do not take any measurement from the drawing page.

Release Date: 30.09.2019

Rev. Date: 18.09.2020

Form No: PZ-23.03 Rev:02