

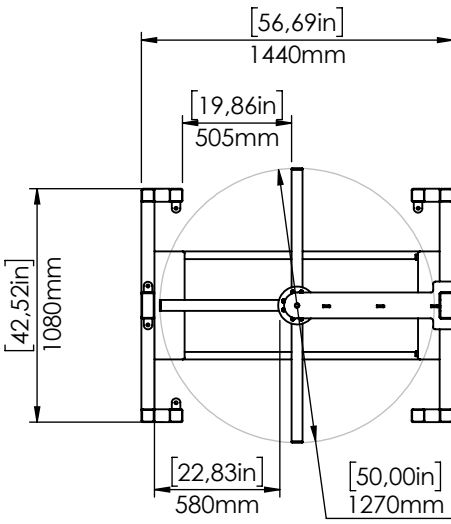
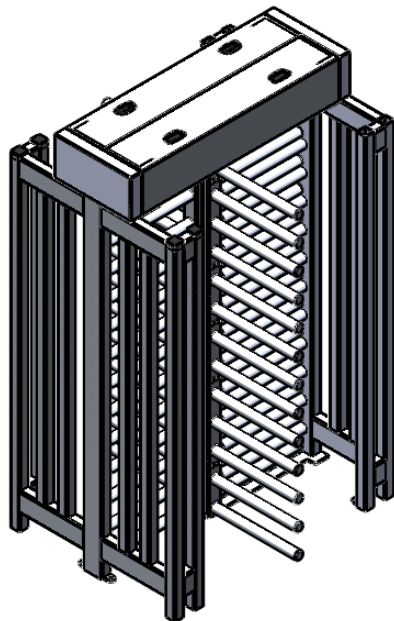
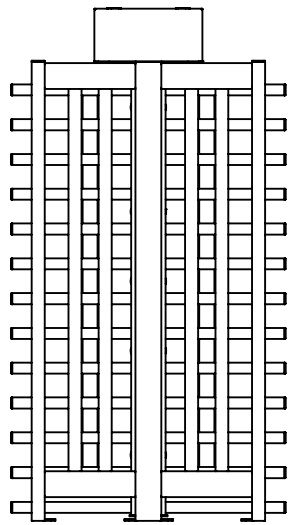
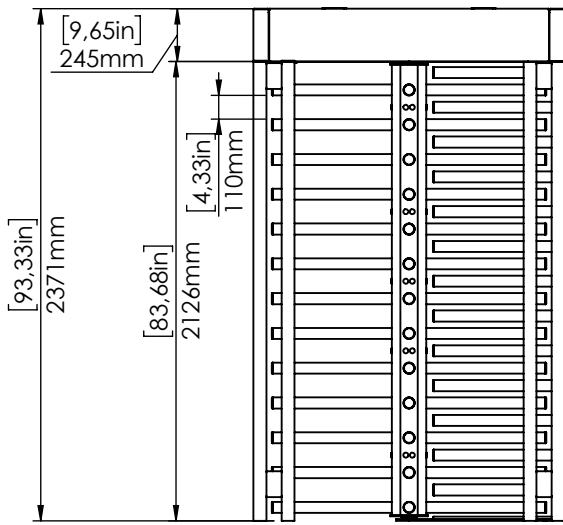
1 2 3 4 5 6

A

B

C

D



ROUTE⇒									
*UNLESS OTHERWISE SPECIFIED DIMENSIONS ARE IN MILLIMETERS		Scale: 1:50		Unit:(mm)		Weight :		441.98kg	
* UNLESS OTHERWISE SPECIFIED TOLERANCE CLASS IS ISO 2768-mK		Type of Material:				Part / Assembly Name:			
Name		Date		Signature		Part / Assembly Code:		Size of Row Material:	
Drawing by Gökhan KARACA		27.11.2020				MC 581			
Checking by						Stock Card:		PDM No: 21-118629	
Approval								Revision Nr	
		Last saved date 6.01.2021 						Page	
								1-1	
								Sheet Format A4	

*The information which is in this technical drawing belong to TANSA. It can not be multiplied as partially or completely without written permission of TanSA. Gıvenlik Sistemleri ve Satış Servisi Tr. A.Ş.

* Do not take any measurement from the drawing page.

Form No: F23.03 Rev.02
Release Date: 30.09.2019 Rev. Date: 18.09.2020