

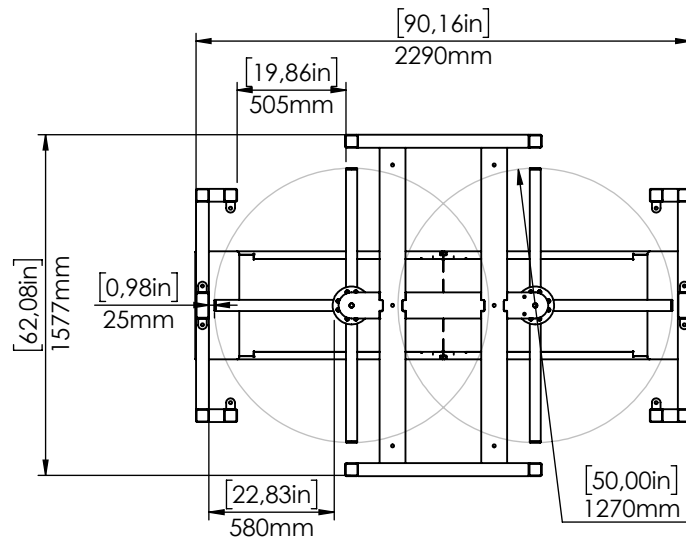
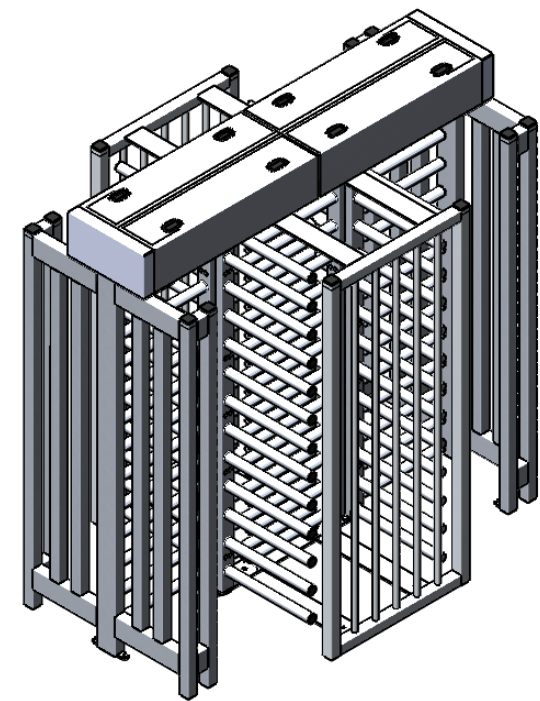
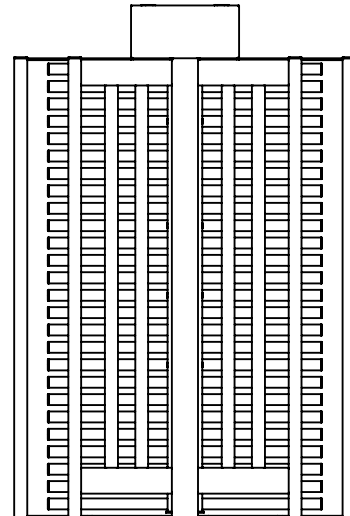
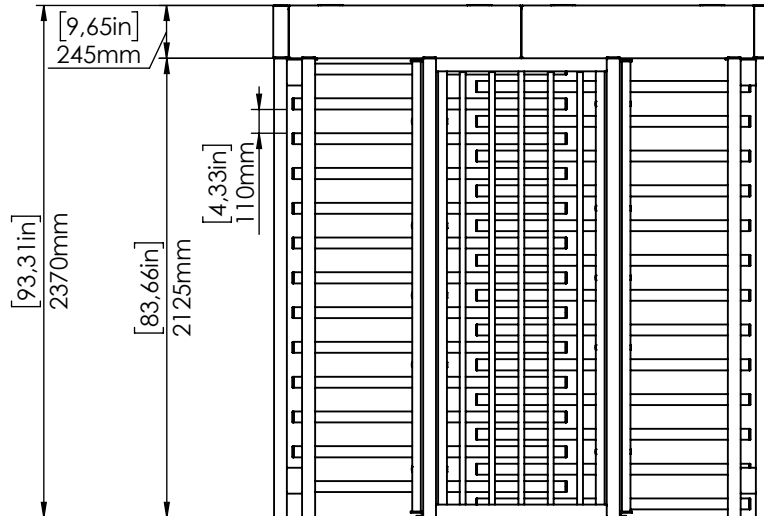
1 2 3 4 5 6

A

B

C

D



ROUTE⇒		Scale: 1:50		Unit:(mm)		Weight :		757.80kg	
*UNLESS OTHERWISE SPECIFIED DIMENSIONS ARE IN MILLIMETERS		Type of Material:							
* UNLESS OTHERWISE SPECIFIED TOLERANCE CLASS IS ISO 2768-mK		Part / Assembly Name:							
Name		Date		Signature					
Drawing by		Gökhan KARACA		10.12.2020					
Checking by									
Approval									
		Last saved date		29.01.2021					
Part / Assembly Code:		MC 582		Size of Row Material:					
Stock Card:		PDM No:		Revision Nr		Page		Sheet Format	
		21-118636		1-1		A4			

*The information which is in this technical drawing belong to TANSA. It can not be multiplied as partially or completely without written permission of TanSA. Genetik Sistemleri ve Sat. Sanayi. Tr. A. S.

* Do not take any measurement from the drawing page.

Form No: F3-23-03 Rev: 02
Release Date: 30.09.2019 Rev. Date: 18.09.2020