

*The information which is in this technical drawing belong to TANSA. It can not be multiplied as partially or completely without written permission of TanSA. Gıvenlik Sistemleri ve Satış Servisi Tr. A.Ş.

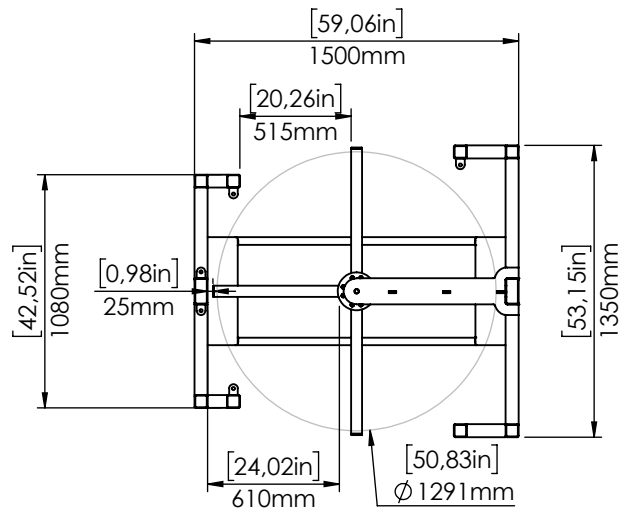
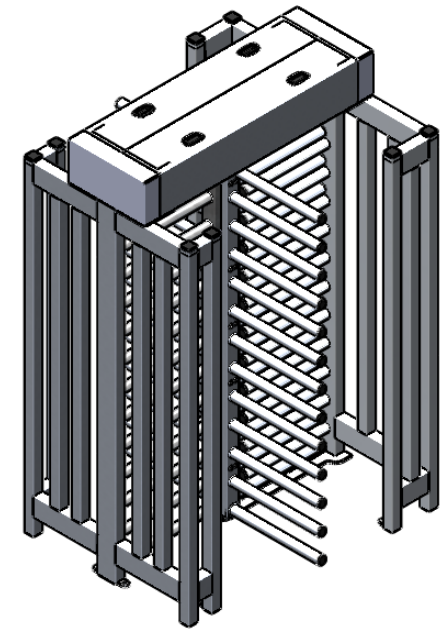
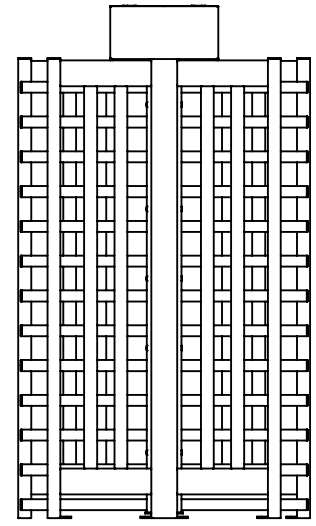
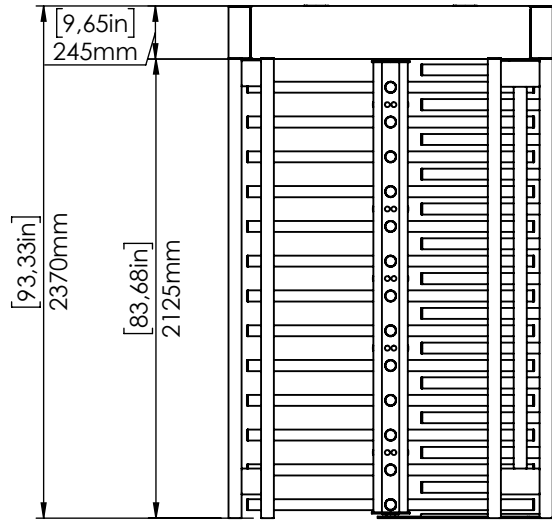
1 2 3 4 5 6

A

B

C

D



ROUTE⇒									
*UNLESS OTHERWISE SPECIFIED DIMENSIONS ARE IN MILLIMETERS				Scale:	1:50	Unit:(mm)	Weight :	467.14kg	
* UNLESS OTHERWISE SPECIFIED TOLERANCE CLASS IS ISO 2768-mK				Type of Material:					
				Part / Assembly Name:					
Name		Date		Signature		Part / Assembly Code:		Size of Row Material:	
Drawing by		Gökhan KARACA		27.11.2020		MC 611			
Checking by						Stock Card:		PDM No:	
Approval						21-118660		Revision Nr	
								Page	
								Sheet Format	
								A4	
		Last saved date		29.01.2021					

* Do not take any measurement from the drawing page.

Release Date: 30.09.2019 Rev. Date: 18.09.2020

Form No: PZ-23.03 Rev.02