

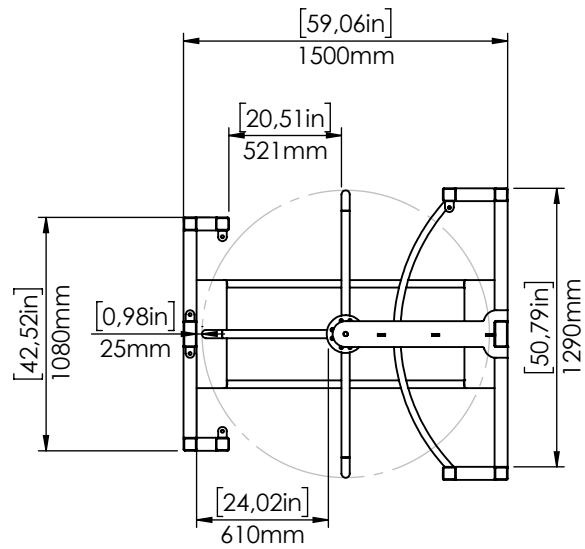
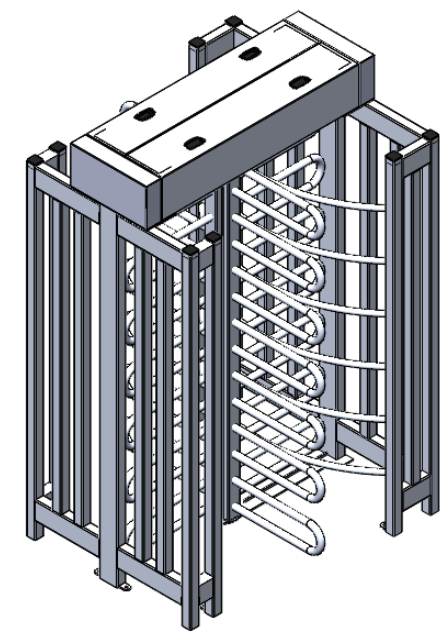
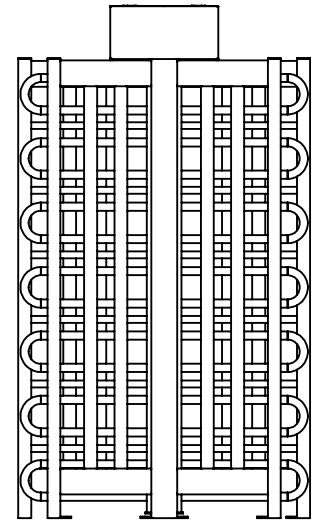
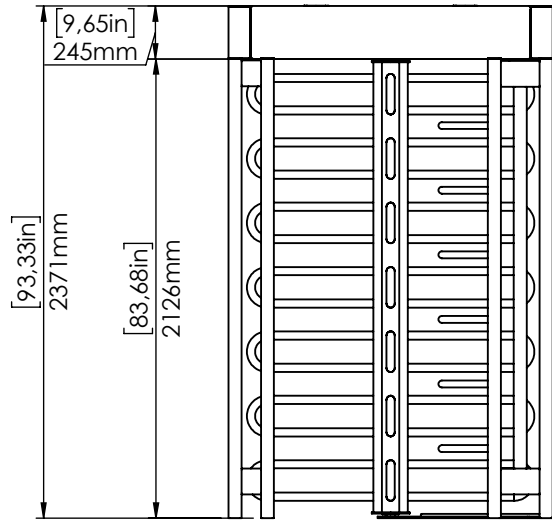
1 2 3 4 5 6



A

B

C

D



ROUTE⇒									
*UNLESS OTHERWISE SPECIFIED DIMENSIONS ARE IN MILLIMETERS				Scale: 1:50		Unit:(mm)		Weight : 465.60kg	
* UNLESS OTHERWISE SPECIFIED TOLERANCE CLASS IS ISO 2768-mK				Type of Material:					
				Part / Assembly Name:					
Name		Date		Signature					
Drawing by		Gökhan KARACA		27.11.2020					
Checking by									
Approval						Part / Assembly Code:		Size of Row Material:	
						MC 613			
		Last saved date 17.02.2021 		Stock Card:		PDM No:		Revision Nr	
				21-119023		Page		Sheet Format	
						1-1		A4	

*The information which is in this technical drawing belong to TANSA. It can not be multiplied as partially or completely without written permission of TanSA. Gıvenlik Sistemleri ve Sat. Sanayi Tır. A.Ş.

* Do not take any measurement from the drawing page.

Release Date: 30.09.2019 Rev. Date: 18.09.2020

Form No: PZ-23.03 Rev.02