

*The information which is in this technical drawing belong to TANSA. It can not be multiplied as partially or completely without written permission of TanSA. Genetik Sistemleri ve Satış Servisi Tr. A.Ş.

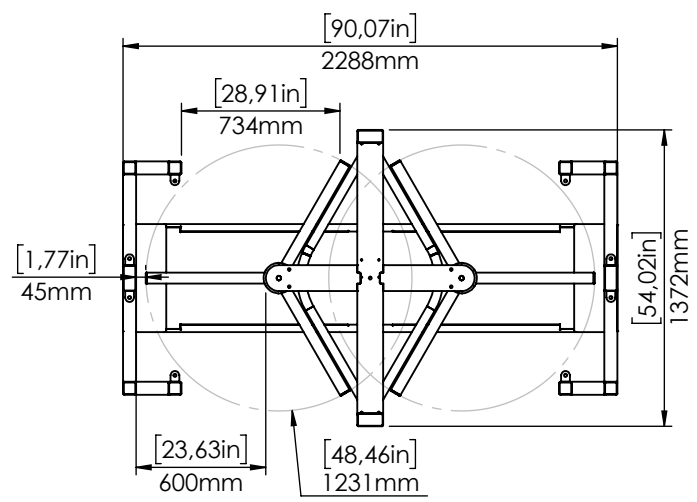
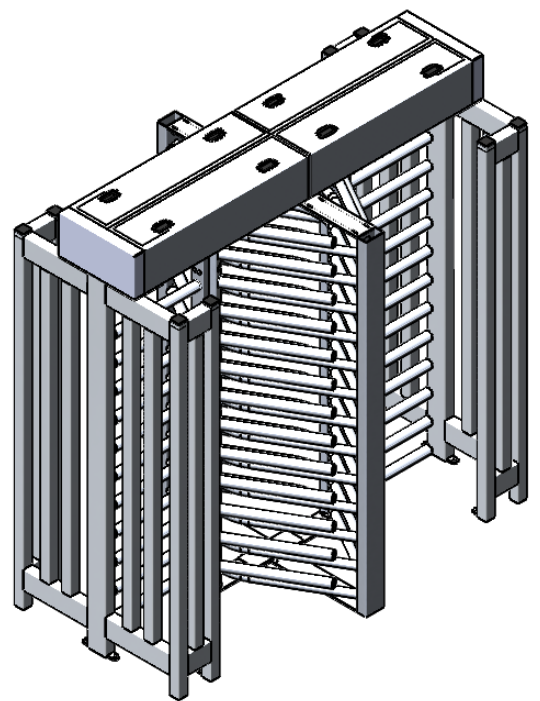
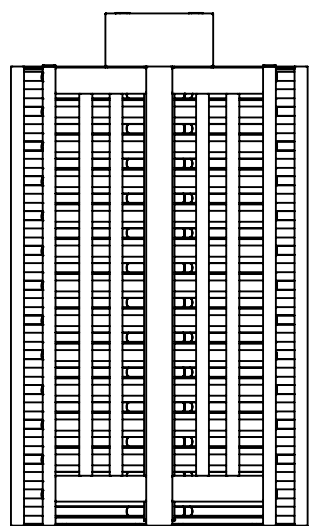
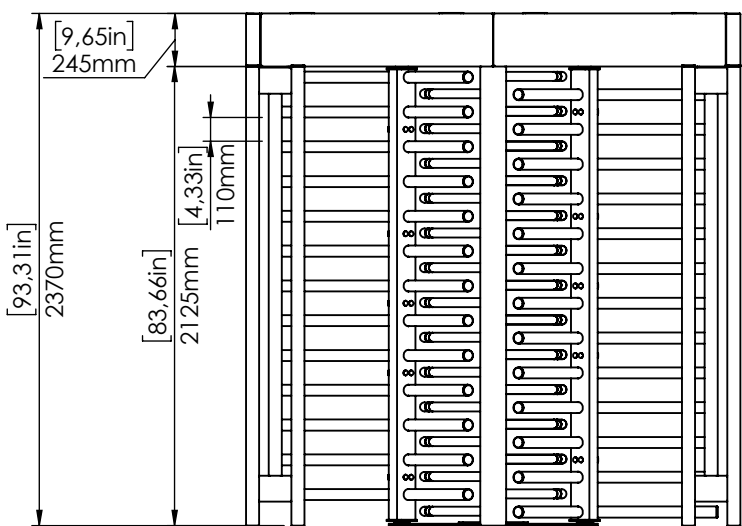
1 2 3 4 5 6

A

B

C

D



ROUTE⇒											
*UNLESS OTHERWISE SPECIFIED DIMENSIONS ARE IN MILLIMETERS				Scale: 1:50		Unit:(mm)		Weight : 718.72kg			
* UNLESS OTHERWISE SPECIFIED TOLERANCE CLASS IS ISO 2768-mK				Type of Material:							
				Part / Assembly Name:							
Name		Date		Signature							
Drawing by		Gökhan KARACA		10.12.2020							
Checking by											
Approval						Part / Assembly Code:		Size of Row Material:			
						MC 602					
		Last saved date 29.01.2021				Stock Card:		PDM No:			
						21-118649		Revision Nr		Page	
								1-1		A4	

* Do not take any measurement from the drawing page.

Release Date: 30.09.2019 Rev. Date: 18.09.2020

Form No: F23.03 Rev: 02