

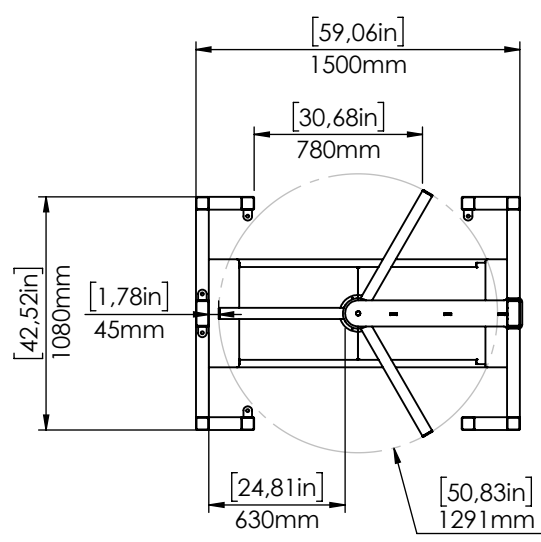
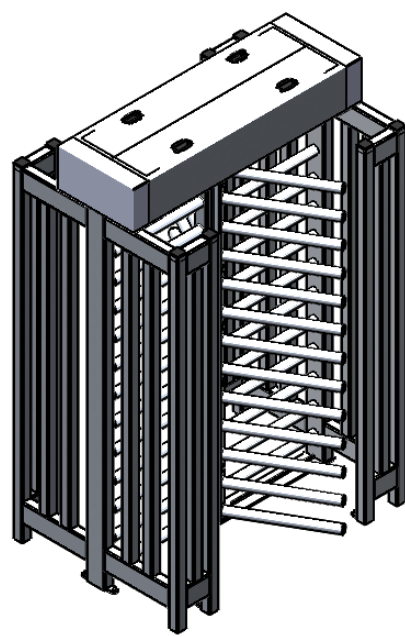
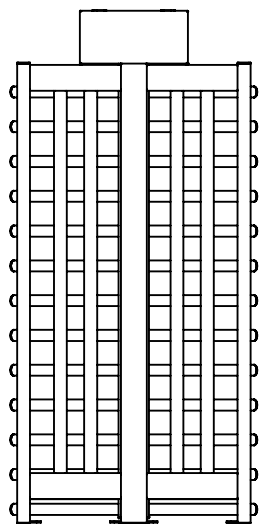
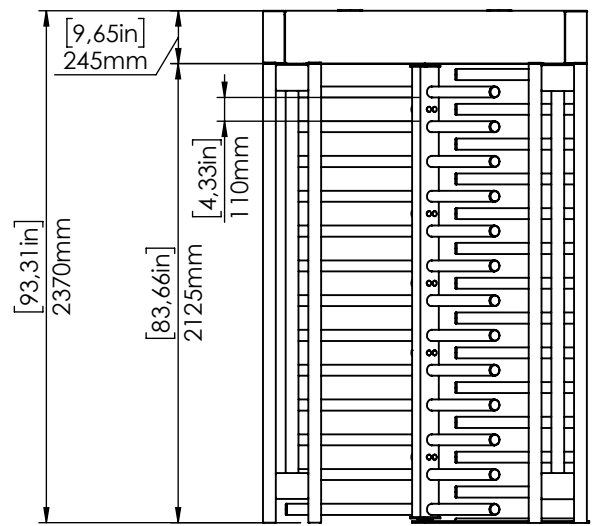
1 2 3 4 5 6



A

B

C

D



ROUTE⇒											
*UNLESS OTHERWISE SPECIFIED DIMENSIONS ARE IN MILLIMETERS		Scale:	1:50	Unit:(mm)	Weight :	445.47kg					
* UNLESS OTHERWISE SPECIFIED TOLERANCE CLASS IS ISO 2768-mK		Type of Material:									
		Part / Assembly Name:									
Name		Date		Signature							
Drawing by		Gökhan KARACA		27.11.2020							
Checking by											
Approval											
		Part / Assembly Code:		Size of Row Material:							
		MC 631									
		Stock Card:		PDM No:		Revision Nr		Page		Sheet Format	
				21-118679				1-1		A4	
		Last saved date		29.01.2021							
											

\*The information which is in This technical drawing belong to TANSA. It can not be multiple as partly or completely without written permission of Tanas Güvencik Sistemleri ve Sanayi Tic. A.Ş.

Form No: F23.03 Rev.02

\* Do not take any measurement from the drawing page.

Release Date: 30.09.2019 Rev. Date: 18.09.2020