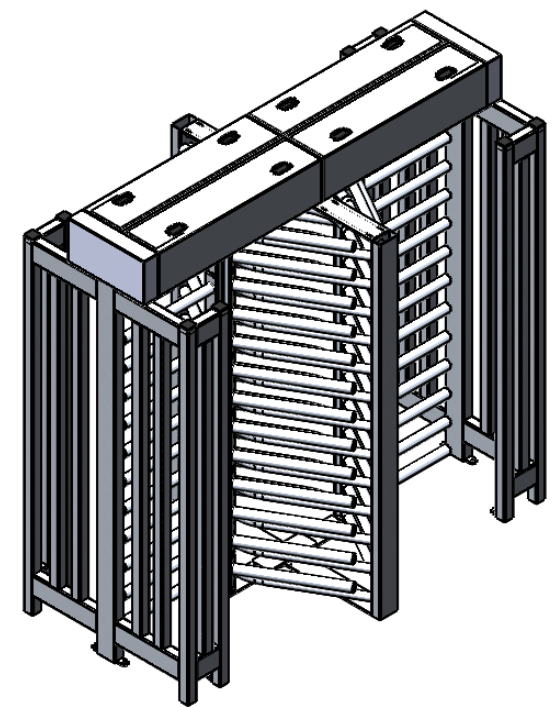
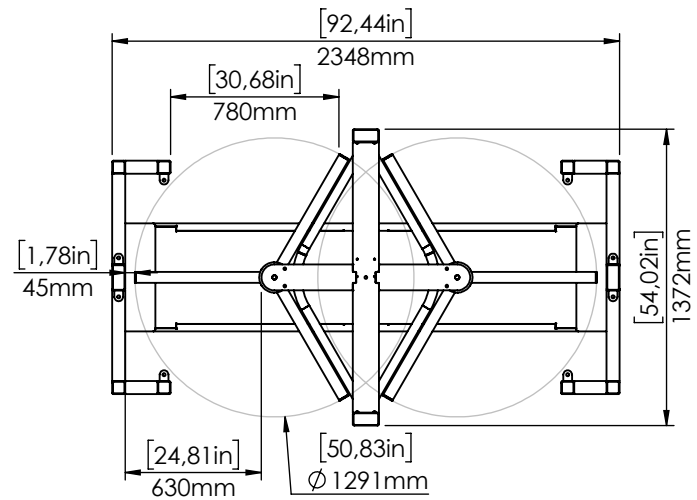
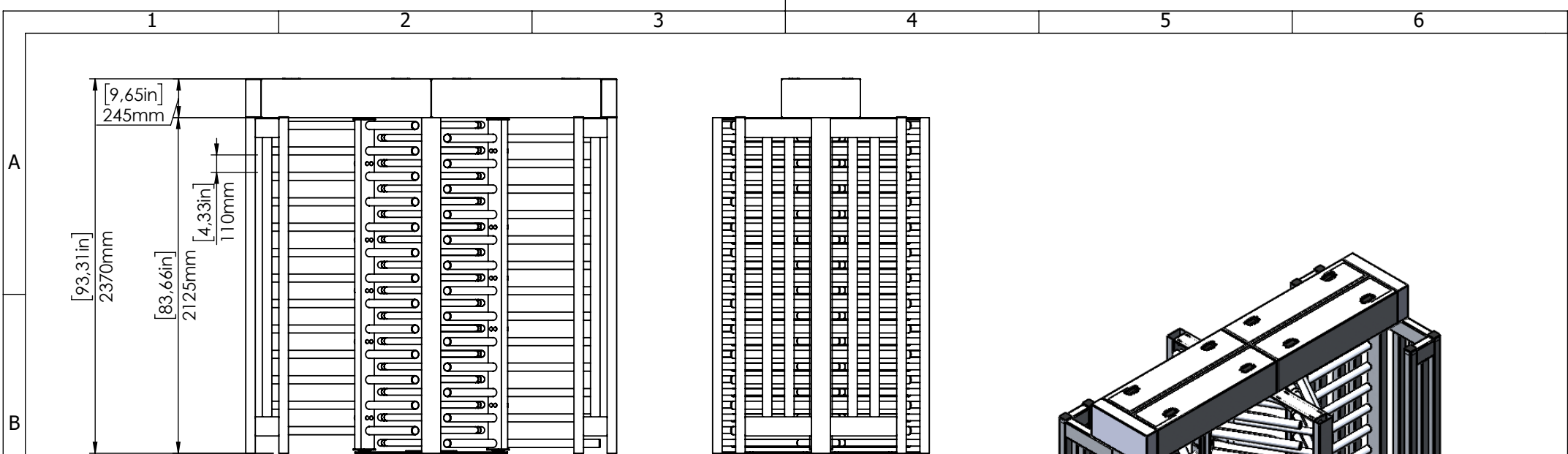




*The information which is in This technical drawing belong to TANSA. It can not be multiple as partly or completely without written permission of Tanasa Güvencelik Sistemleri ve Sanayi Tic. A.Ş.



ROUTE⇒											
*UNLESS OTHERWISE SPECIFIED DIMENSIONS ARE IN MILLIMETERS		Scale:	1:50	Unit:(mm)	Weight :	721.67kg					
* UNLESS OTHERWISE SPECIFIED TOLERANCE CLASS IS ISO 2768-mK		Type of Material:		Part / Assembly Name:							
Drawing by		Name		Date		Signature					
Gökhan KARACA				10.12.2020							
Checking by											
Approval						Part / Assembly Code:		Size of Row Material:			
						MC 632					
		Last saved date 29.01.2021				Stock Card:		PDM No:			
						21-118683		Revision Nr		Page	
								1-1		A4	

* Do not take any measurement from the drawing page.