

*The information which is in This technical drawing belong to TANSA. It can not be multiplied as partially or completely without written permission of Tanas Güvenlik Sistemleri ve Sanayi Tic. A.Ş.

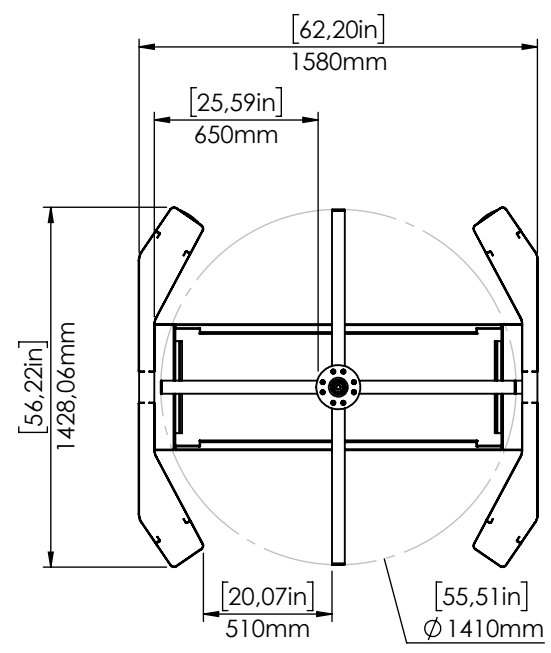
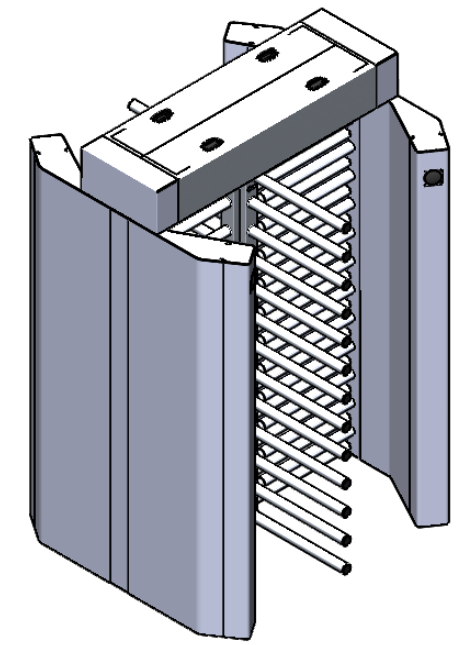
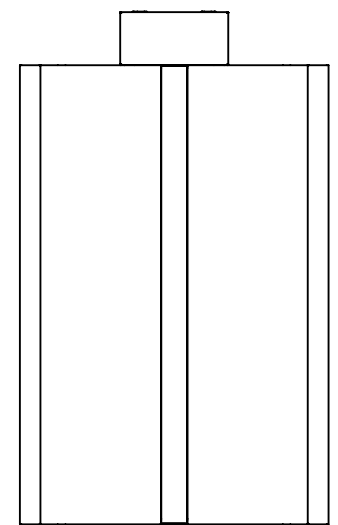
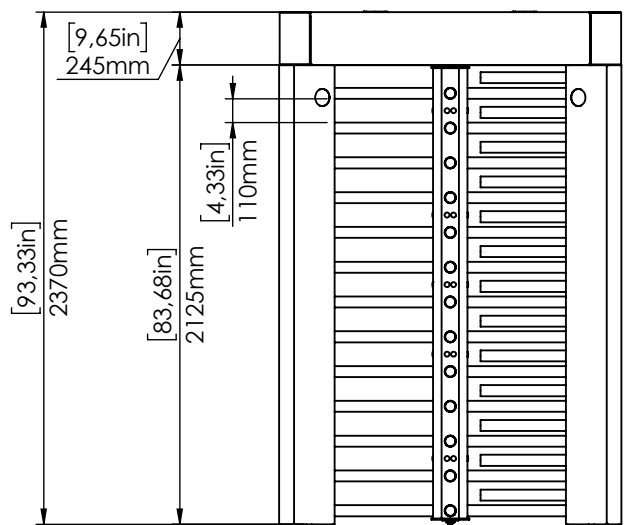
1 2 3 4 5 6



A

B

C

D



ROUTE⇒					
*UNLESS OTHERWISE SPECIFIED DIMENSIONS ARE IN MILLIMETERS		Scale:	1:50	Unit:(mm)	Weight :
* UNLESS OTHERWISE SPECIFIED TOLERANCE CLASS IS ISO 2768-mK		Type of Material:			
		Part / Assembly Name:			
	Name	Date	Signature		
Drawing by	Gökhan KARACA	11.01.2021			
Checking by					
Approval					
		Part / Assembly Code:	Size of Row Material:		
		MX651			
		Stock Card:	PDM No:	Revision Nr	Page
			21-119101		1-1
					A4
		Last saved date 29.01.2021			

* Do not take any measurement from the drawing page.

Form No: F23.03 Rev.02
Release Date: 30.09.2019 Rev. Date: 18.09.2020