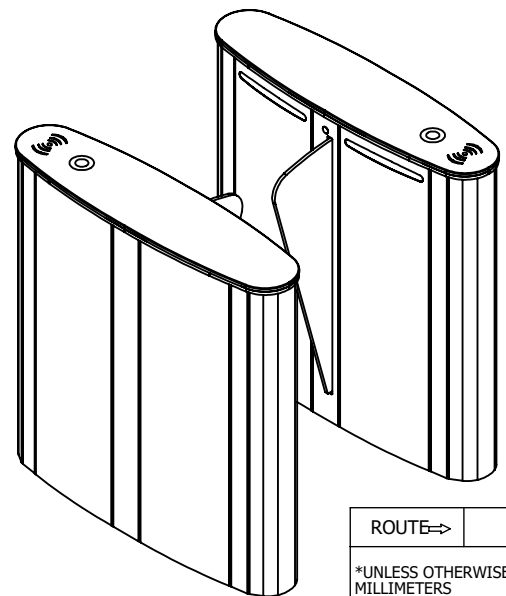
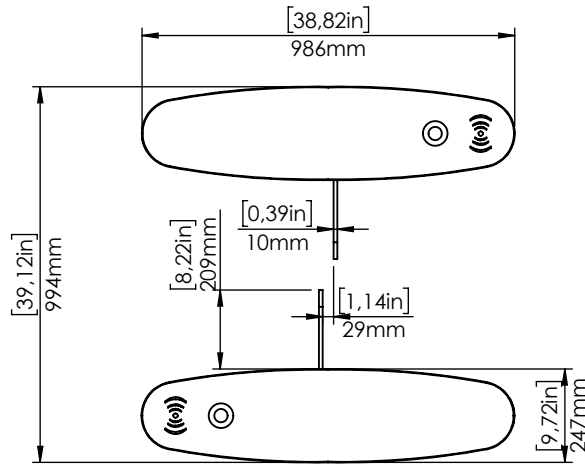
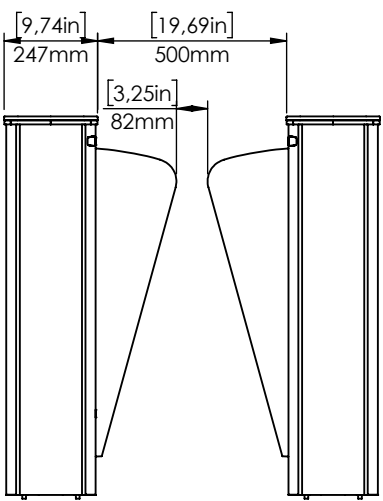
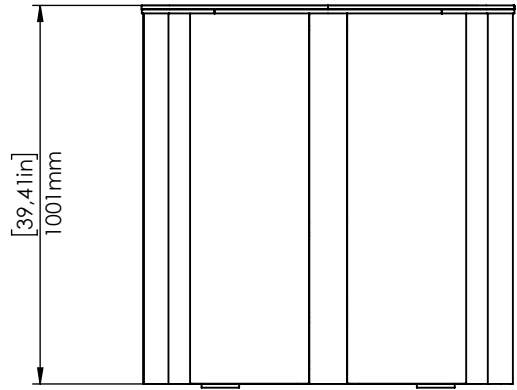


A
B
C
D



ROUTE⇒					
*UNLESS OTHERWISE SPECIFIED DIMENSIONS ARE IN MILLIMETERS		Scale: 1:20	Unit:(mm)	Weight :	kg
* UNLESS OTHERWISE SPECIFIED TOLERANCE CLASS IS ISO 2768-mK		Type of Material:			
		Part / Assembly Name:			
	Name	Date	Signature		
Drawing by	Gökhan KARACA	10.10.2019			
Checking by	Kenan ERSOY				
Approval	Kenan ERSOY				
		Last saved date 11.11.2020		Part / Assembly Code:	
				LTOP111-K	
Stock Card:				PDM No:	Revision Nr
				1-1	A4

* Do not take any measurement from the drawing page.