

1

2

3

4

5

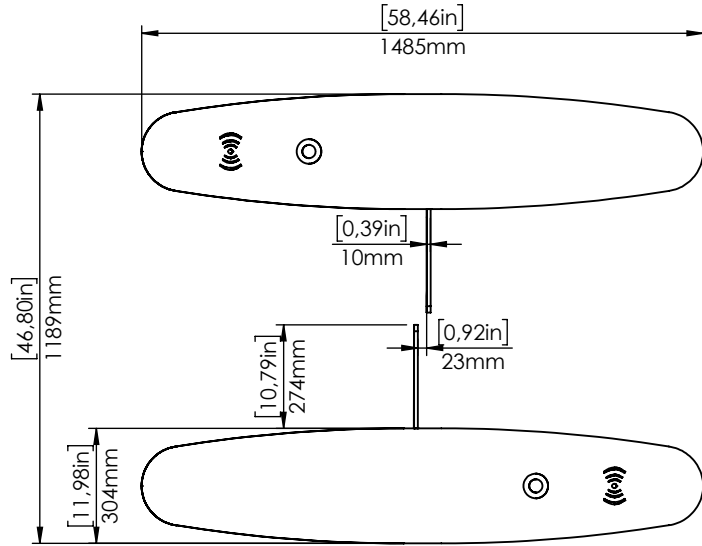
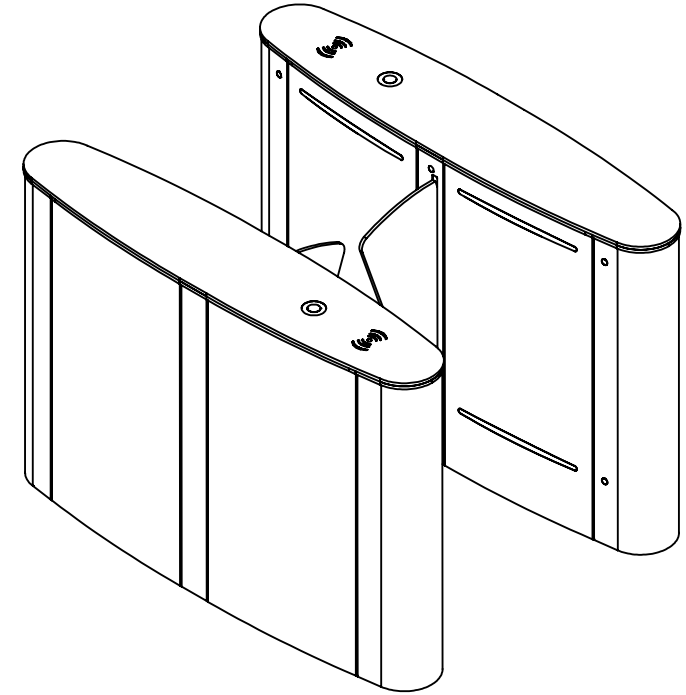
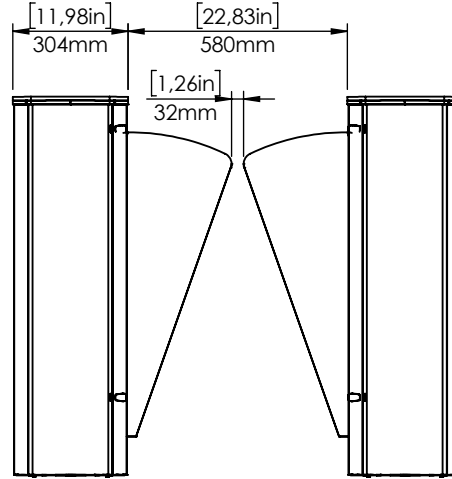
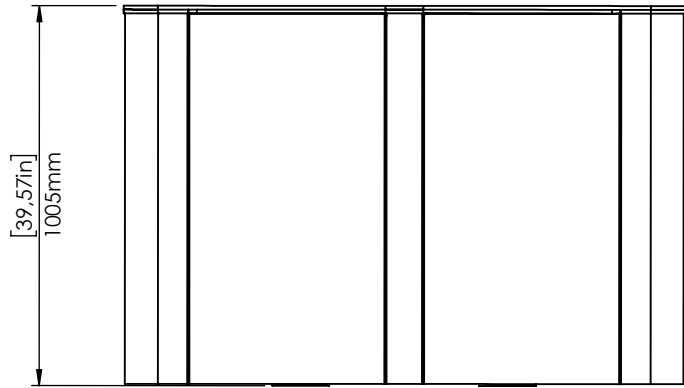
6

A

B

C

D



ROUTE⇒										
*UNLESS OTHERWISE SPECIFIED DIMENSIONS ARE IN MILLIMETERS				Scale:	1:20	Unit:(mm)	Weight :	178.40kg		
* UNLESS OTHERWISE SPECIFIED TOLERANCE CLASS IS ISO 2768-mK				Type of Material:						
				Part / Assembly Name:						
	Name	Date	Signature	Part / Assembly Code:			Size of Row Material:			
Drawing by	Gökhan KARACA	16.10.2020		LTOP116 KATALOG						
Checking by	Kenan ERSOY			Stock Card:			PDM No:	Revision Nr	Page	Sheet Format
Approval	Kenan ERSOY								1-1	A4
			Last saved date							
			11.11.2020							

*The information which is in This technical drawing belong to TANSA. It can not be multiple as partly or completely without written permission of Tansa Güvencik Sistemleri ve Sanayi Tic. A.Ş

Form No: PZ-23.03 Reviz: 02