

1

2

3

4

5

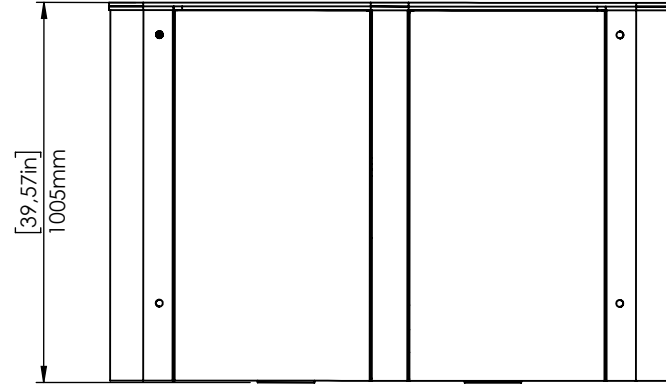
6

A

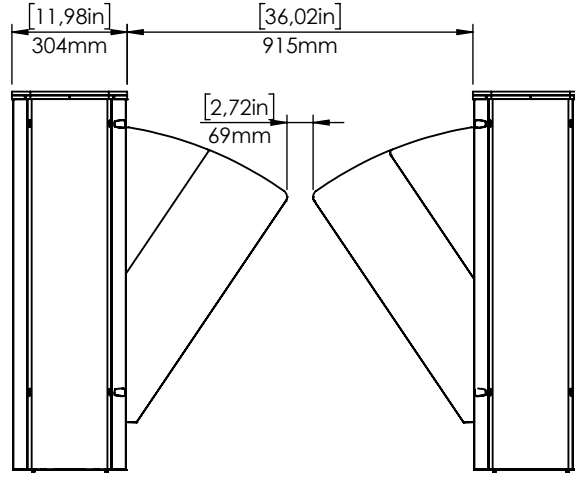
B

C

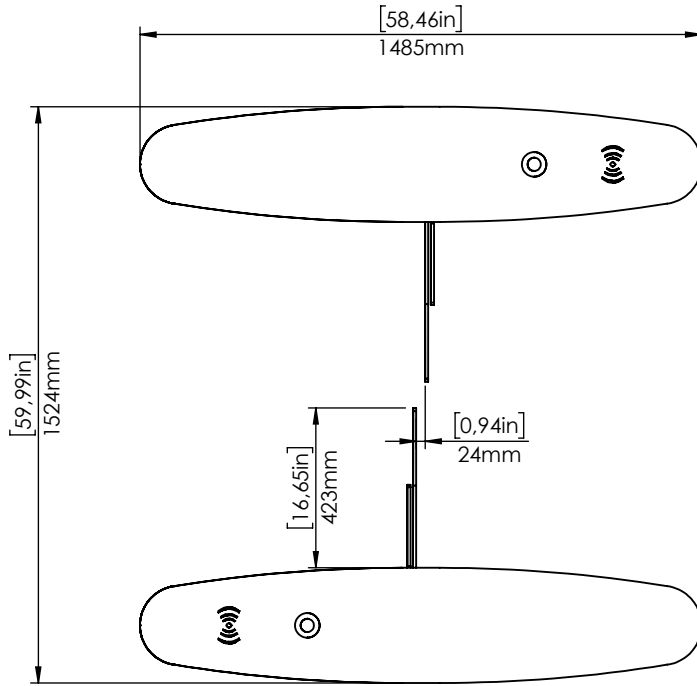
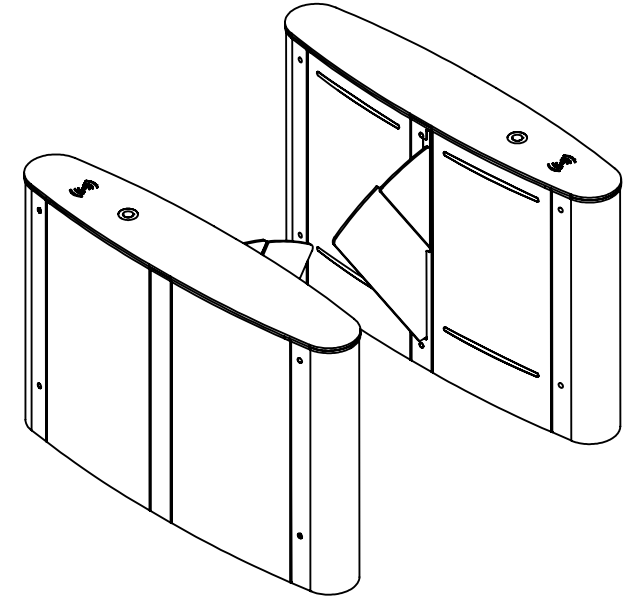
D





SCALE 1 : 20



SCALE 1 : 20



SCALE 1 : 20

ROUTE⇒					
*UNLESS OTHERWISE SPECIFIED DIMENSIONS ARE IN MILLIMETERS		Scale:	1:50	Unit:(mm)	Weight :
* UNLESS OTHERWISE SPECIFIED TOLERANCE CLASS IS ISO 2768-mK		Type of Material:			
		Part / Assembly Name:			
	Name	Date	Signature		
Drawing by	Gökhan KARACA	10.11.2020			
Checking by	Kenan ERSOY				
Approval	Kenan ERSOY				
		Last saved date		11.11.2020	
					
Part / Assembly Code:		LTOP116H KORİDOR		Size of Row Material:	
Stock Card:		PDM No:	20-112954	Revision Nr	Page
				1-1	A4

*The information which is in this technical drawing belong to TANSA. It can not be multiplied as partially or completely without written permission of TanSA. Gıvenlik Sistemleri ve Saati Sanayi Tic. A.Ş.

Form No: F23.03 Rev.02

* Do not take any measurement from the drawing page.

Release Date: 30.09.2019 Rev. Date: 18.09.2020