

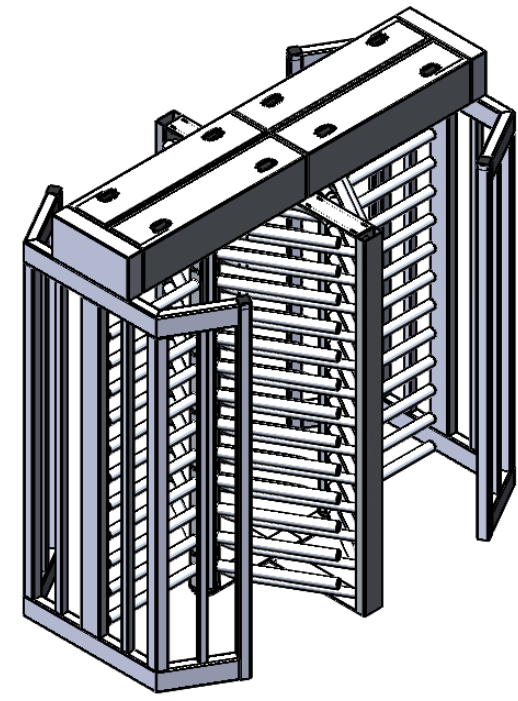
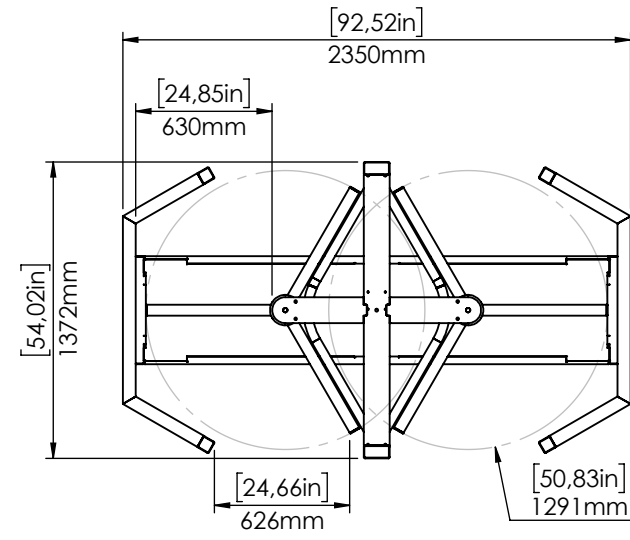
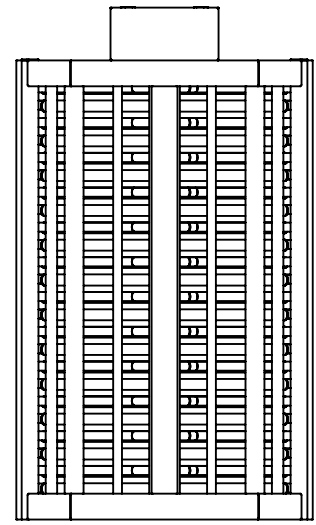
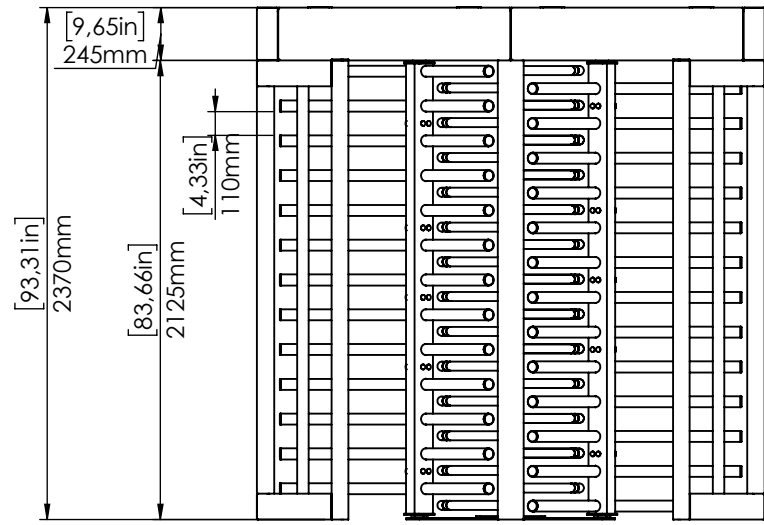
1 2 3 4 5 6


A

B

C

D



ROUTE⇒									
*UNLESS OTHERWISE SPECIFIED DIMENSIONS ARE IN MILLIMETERS		Scale:	1:50	Unit:(mm)	Weight :	451.74kg			
* UNLESS OTHERWISE SPECIFIED TOLERANCE CLASS IS ISO 2768-mK		Type of Material:		Part / Assembly Name:					
Name		Date		Signature		Part / Assembly Code:		Size of Row Material:	
Drawing by		Gökhan KARACA		10.12.2020		MA632			
Checking by						Stock Card:		PDM No:	
Approval						21-118596		Revision Nr	
		Last saved date		29.01.2021				Page	
								Sheet Format	
								1-1	
								A4	

\*The information which is in this technical drawing belong to TANSA. It can not be multiplied as partially or completely without written permission of TanSA. Gıvenlik Sistemleri ve Sat. Sanayi. Tr. A.Ş.

\* Do not take any measurement from the drawing page.

Release Date: 30.09.2019 Rev. Date: 18.09.2020

Form No: F23.03 Rev: 02