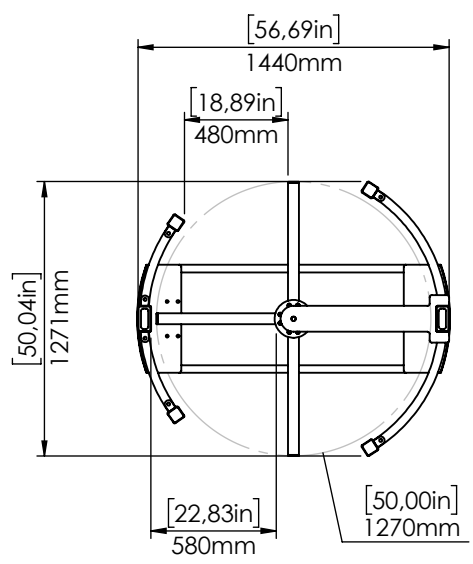
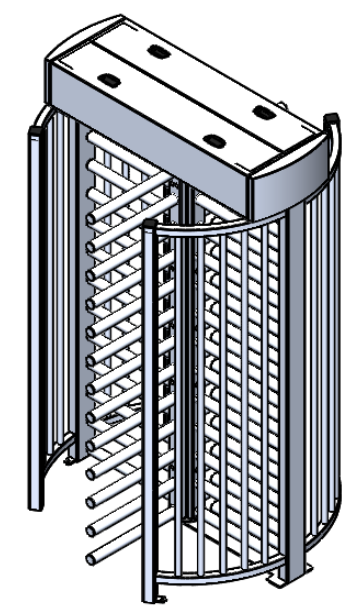
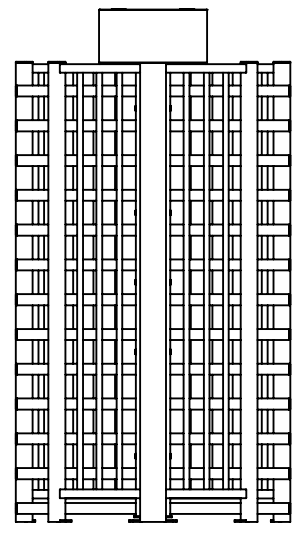
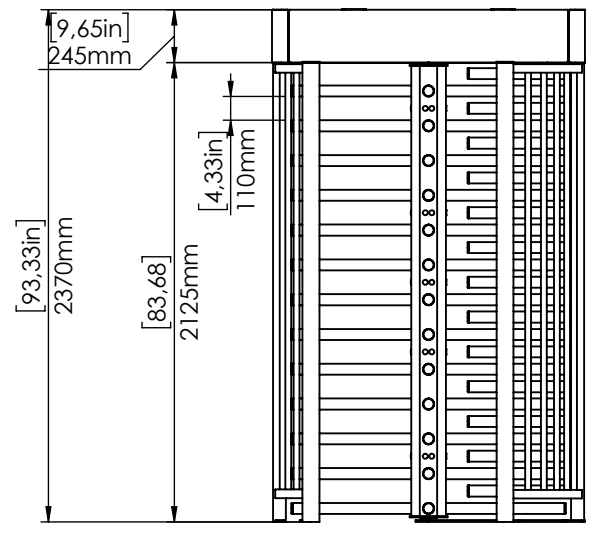


1 2 3 4 5 6

A
B
C
D

MAXIMA MR-F 581



ROUTE⇒									
*UNLESS OTHERWISE SPECIFIED DIMENSIONS ARE IN MILLIMETERS		Scale:	1:50	Unit:(mm)	Weight :	319.00kg			
* UNLESS OTHERWISE SPECIFIED TOLERANCE CLASS IS ISO 2768-mK		Type of Material:		Part / Assembly Name:					
Name		Date		Signature		Part / Assembly Code:		Size of Row Material:	
Drawing by Gökhan KARACA		27.11.2020				MR 581			
Checking by						Stock Card:		PDM No:	
Approval								21-118712	
		Last saved date 19.02.2021				Revision Nr		Page	
						1-1		A4	

*The information which is in this technical drawing belong to TANSA. It can not be multiplied as partially or completely without written permission of TanSA. Gıvenlik Sistemleri ve Satış Şirketi. Tr. A.Ş.

* Do not take any measurement from the drawing page.