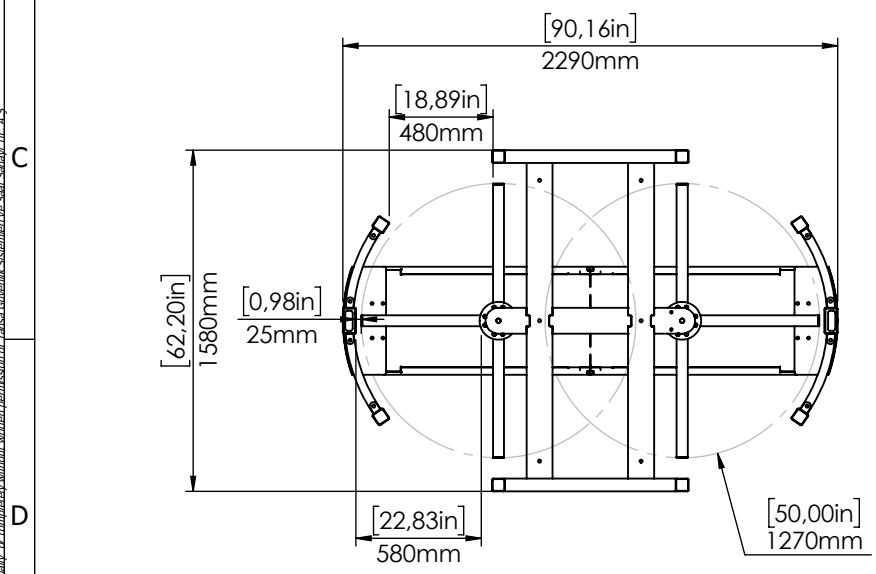
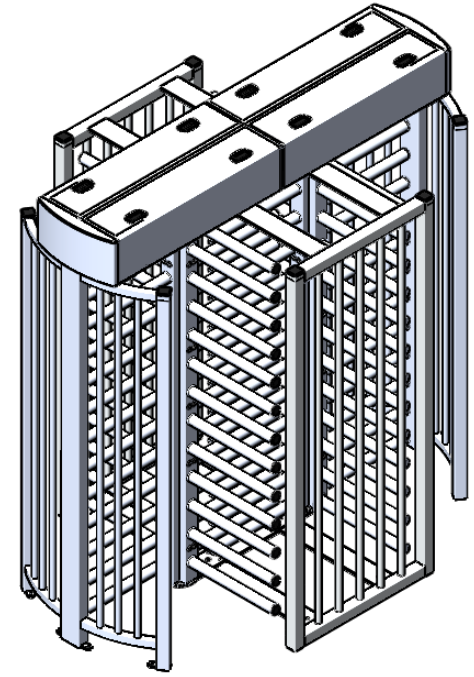
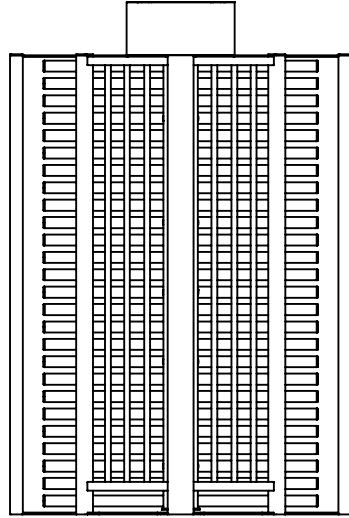
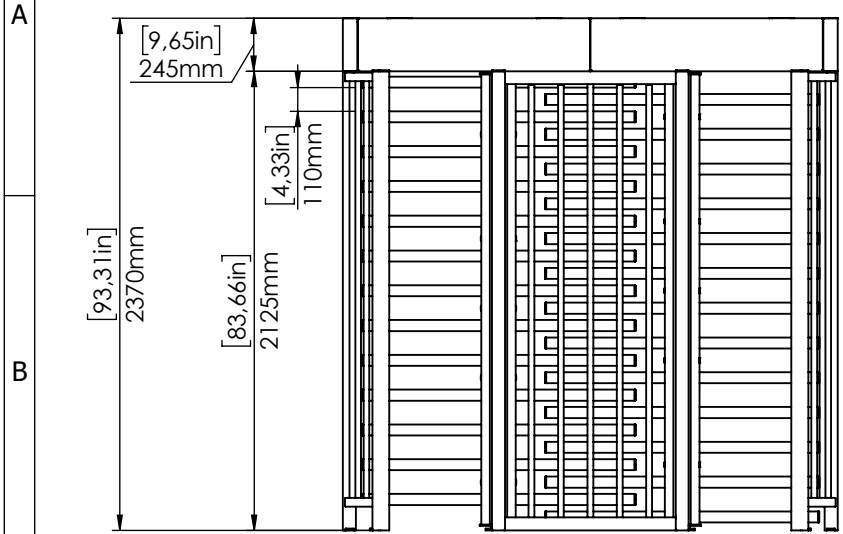


# MAXIMA MR-F 582



ROUTE⇒								
*UNLESS OTHERWISE SPECIFIED DIMENSIONS ARE IN MILLIMETERS				Scale:	1:50	Unit:(mm)	Weight :	627.14kg
* UNLESS OTHERWISE SPECIFIED TOLERANCE CLASS IS ISO 2768-mK				Type of Material:				
				Part / Assembly Name:				
Name		Date		Signature				
Drawing by		Gökhan KARACA		10.12.2020				
Checking by								
Approval								
				Part / Assembly Code:		Size of Row Material:		
				MR582				
				Stock Card:		PDM No:		
						21-118716		
				Last saved date		Revision Nr		
				17.02.2021		Page		
						Sheet Format		
						1-1		
						A4		

\*The information which is in this technical drawing belong to TANSA. It can not be multiplied as partially or completely without written permission of TANSA. Gıvenlik Sistemleri ve Satış Servisi Tr. A.Ş.

\* Do not take any measurement from the drawing page.

Release Date: 30.09.2019 Rev. Date: 18.09.2020

Form No: F-23.03 Rev.02