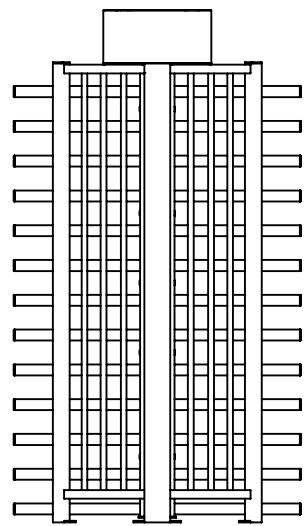
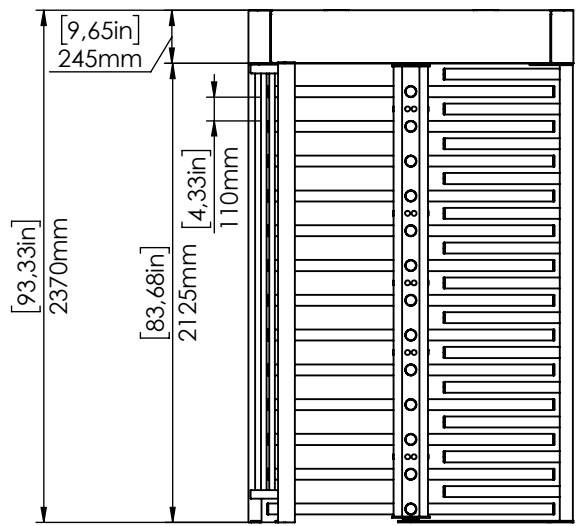
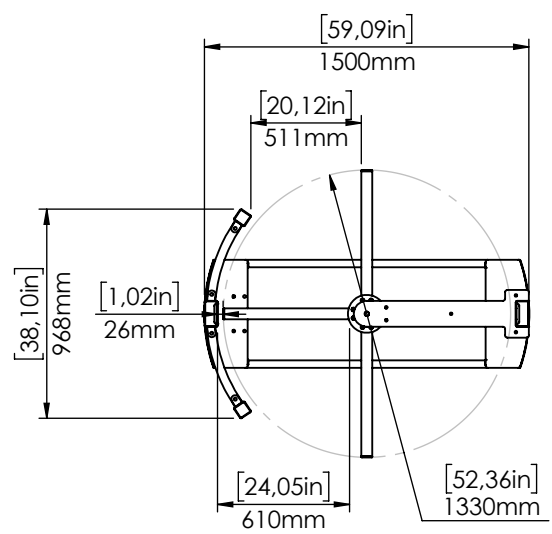
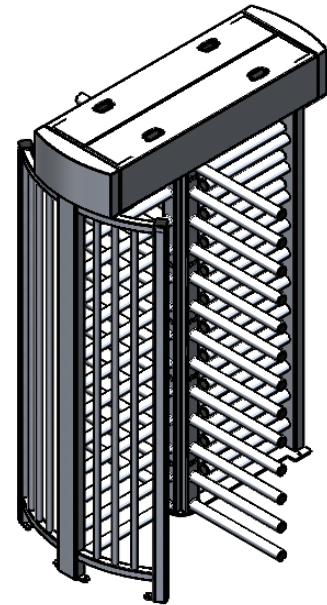




A
B
C
D



MAXIMA MR-F 610



ROUTE⇒									
*UNLESS OTHERWISE SPECIFIED DIMENSIONS ARE IN MILLIMETERS		Scale:	1:50	Unit:(mm)	Weight :	276.93kg			
* UNLESS OTHERWISE SPECIFIED TOLERANCE CLASS IS ISO 2768-mK		Type of Material:		Part / Assembly Name:					
Name		Date		Signature		Part / Assembly Code:		Size of Row Material:	
Drawing by		Gökhan KARACA		27.11.2020		MR 610			
Checking by						Stock Card:		PDM No:	
Approval						21-118735		Revision Nr	
		Last saved date		29.01.2021		Page		Sheet Format	
						1-1		A4	

*The information which is in this technical drawing belong to TANSA. It can not be multiplied as partially or completely without written permission of TANSA. Sistemleri ve Sat. Servis. Tr. A.Ş.

* Do not take any measurement from the drawing page.