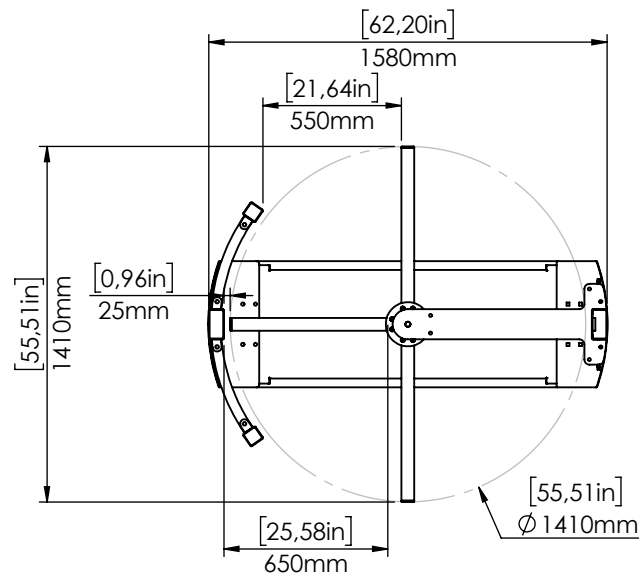
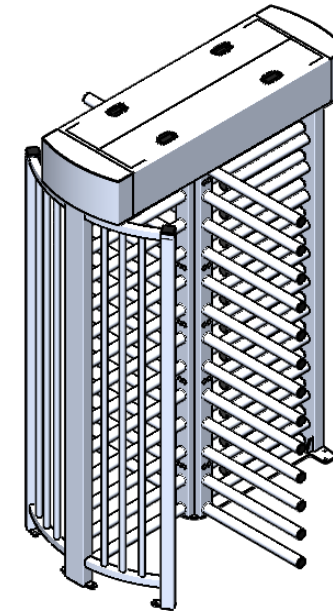
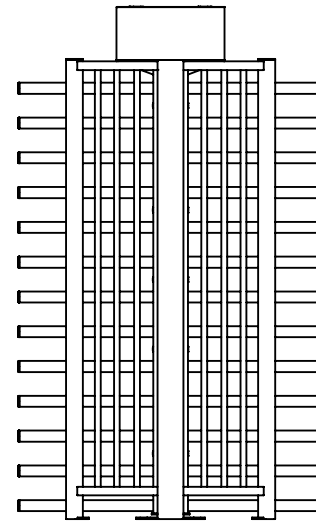
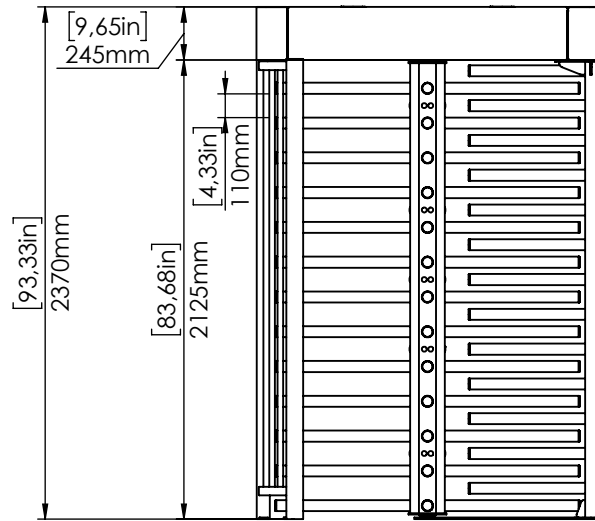


# MAXIMA MR-F 650



ROUTE⇒		Scale: 1:50		Unit:(mm)	
*UNLESS OTHERWISE SPECIFIED DIMENSIONS ARE IN MILLIMETERS		Type of Material:			
* UNLESS OTHERWISE SPECIFIED TOLERANCE CLASS IS ISO 2768-mK		Part / Assembly Name:			
Name		Date		Signature	
Drawing by		23.11.2020		Gökhan KARACA	
Checking by					
Approval					
Part / Assembly Code:		MR650		Size of Row Material:	
Stock Card:		PDM No:		Revision Nr	
TANSA		17.02.2021		Page	
Last saved date		17.02.2021		Sheet Format	
PDM No:		21-118775		A4	
Revision Nr		1-1		Rev.02	

\*The information which is in this technical drawing belong to TANSA. It can not be multiplied as partially or completely without written permission of TanSA. Çizim No: 23.03 Rev: 02

\* Do not take any measurement from the drawing page.

Release Date: 30.09.2019

Rev. Date: 18.09.2020