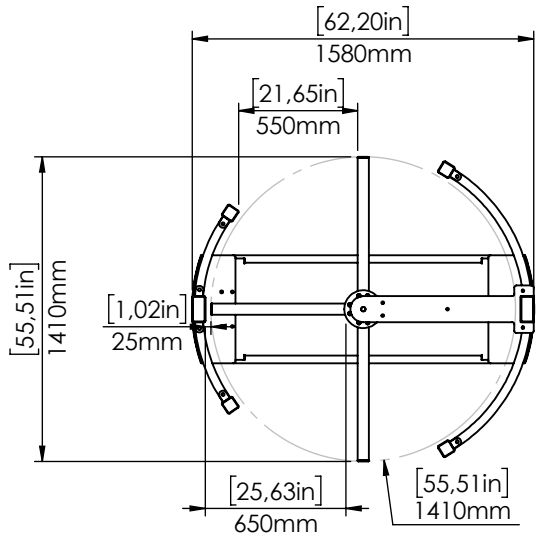
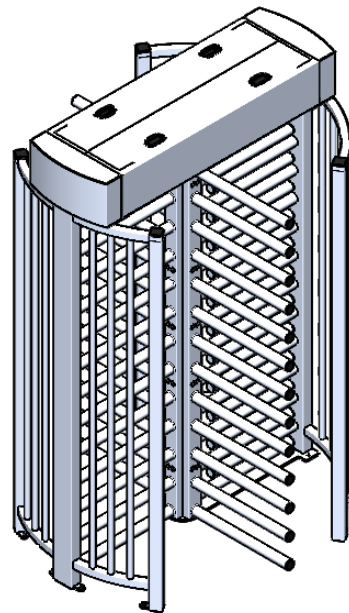
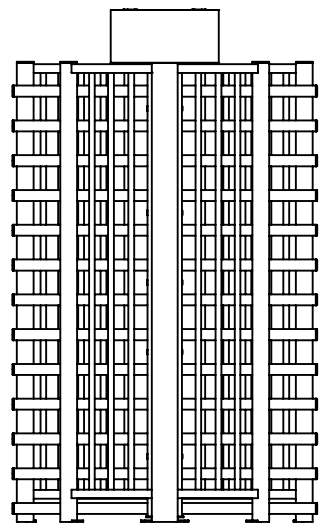
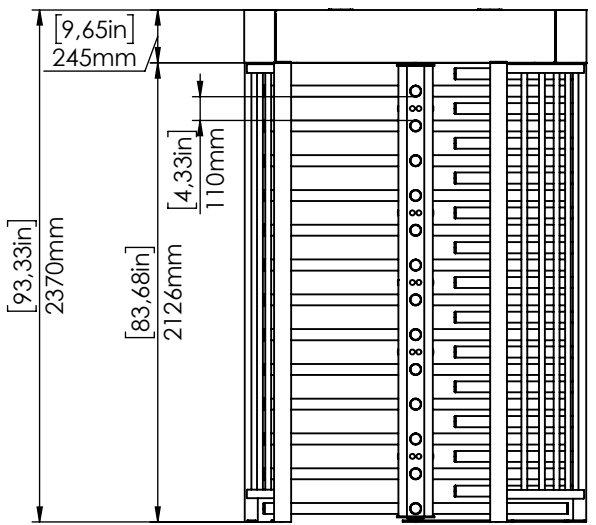


MAXIMA MR-F 651

A
B
C
D



ROUTE⇒									
*UNLESS OTHERWISE SPECIFIED DIMENSIONS ARE IN MILLIMETERS		Scale: 1:50		Unit:(mm)					
* UNLESS OTHERWISE SPECIFIED TOLERANCE CLASS IS ISO 2768-mK		Type of Material:							
Name		Date		Signature		Part / Assembly Name:			
Drawing by Gökhan KARACA		23.11.2020				Part / Assembly Code:		Size of Row Material:	
Checking by						MR651			
Approval						Stock Card:		PDM No:	
		Last saved date 17.02.2021				21-118780		Revision Nr	
						Page		Sheet Format	
						1-1		A4	

*The information which is in this technical drawing belong to TANSA. It can not be multiplied as partially or completely without written permission of TANSA. Genetik Sistemleri ve Satış Servisi Tr. A.Ş.

* Do not take any measurement from the drawing page.