

VISION EDGE

A combination of elegant design and advanced security. Swing Speed Gate with 24V BLDC motor and up to 72 optical safety sensors. Opening and closing times between 0.4 and 1.2 seconds. As part of the interior design, Vision Speed Gate can be adapted to the corporate or interior colors and becomes an integral part of your entrance area.



VISION EDGE

COMPOSITION

- 1- Galvanized coated steel frame
- 2- Aluminium side panels
- 3- 10 mm glass top
- 4- 10 mm tempered glass side panels
- 5- Stainless steel motor mechanism and drive shaft
- 6- 10 mm tempered glass barrier wing
- 7- Illuminated indication pictograms
- 8- AISI 304 stainless steel or powder coated steel upper & lower panels

SECURITY

Up to 72 sensors to achieve maximum security level.

Advanced Detection - Advanced Security

Advanced detection system and sensor algorithms tracks the passage of authorised user while controlling the unauthorised and fraud attempts at the same time.

With 170 mm length and up to 72 sensors Vision Edge achieves the maximum security level against tailgating, piggybacking, wrong way passage, intrusion time out, climb over and crawl under attempts.

Tailgating and wrong way attempts will be blocked by the fast closing response of the doors.

Intrusion alarm warning will be activated in case of lane intrusion time out, safe zone, force to open, crawl under and climb over attempts.

EMERGENCY EXIT

In case of emergency alarm, 2 options are available.

1. Locking unit can be released and door leaves become unlocked position and move freely.
2. Door leaves can be opened in selected direction and remains open during alarm sequence.

With an additional and separate input, fail-locked/emergency-locked option is available.

HIGH FLOW RATE

Vision Edge provides optimized security and high flow rate of people at the same time. For correct walking route, illuminated guidance pictograms give clear directions to staff and visitors.

Adjustable gate direction control adds flexibility to building entrance control systems and improves people flow for efficiency & user convenience.

RELIABILITY & LONG LIFE CYCLE

Basic and reliable mechanical system with advanced electronics allows maximum stability and needs less maintenance to provide permanent service life.

Vision Edge ensures an effective and reliable pedestrian entrance control system for a higher return on investment.

Variable passage width

650 mm - 915 mm

Vision Edge offers 2 passage width selection. 650 mm standard passage width and an 915 mm passage width for wheelchair access and material transport.

With adjustable door opening angle feature, 915 mm version can be reduced to 650 mm passage width for standard use.

For wheelchair access and material transport or in case of emergency the door opens 90 degrees to achieve 915 mm passage width.

Barrier height options

900 mm - 1200 mm - 1800 mm

Taller barrier door selections for higher security.

For high level security needs Vision Edge offers 1200 and 1800 mm tall barrier doors instead of standard 900 mm tall.

ACCESS CONTROL INTEGRATION

Vision Edge can be controlled by any kind of access control system through dry contact or COM ports.

Card reader & scanner installation area allows easy fitting.

Optional cuts on glass top is available for surface mount readers, reader holders or stands as well as standard or custom designed posts for access controller integration.

RFID Icon positioned in the middle of reader installation area to indicate the card reader position clearly.

An additional indicator on top illuminates in red when the gate is locked and changes to green for confirmed passages or during free passage.

OPTIONS & CUSTOMIZATION

To match aesthetic requirements, Vision Edge offers a freedom of choice with large selection of material and color combinations.

Multi-layer compositions and contrasting surfaces makes Vision Edge offers wide range of design options.

VISION EDGE

SPECIFICATIONS

Dimensions

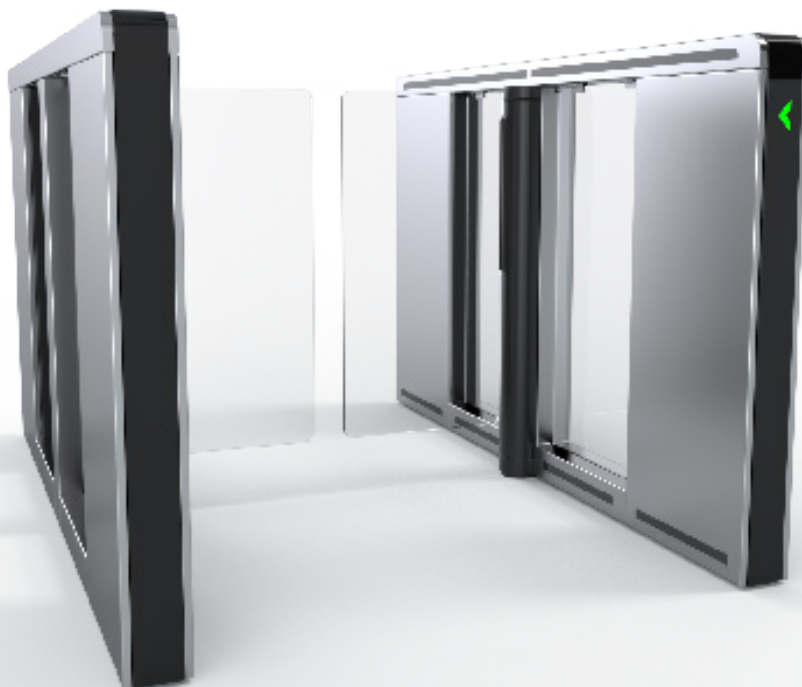
Passage width:	650 - 915 mm
Gate leaf height:	920 - 1200 - 1800 mm
Leaf ground clearance:	250 mm
Housing/Cabinet width:	140 mm (without mechanism)
Housing/Cabinet length:	1710 mm
Housing /Cabinet height:	1045 mm

Construction & Finish

Frame:	Galvanized coated steel
Side panels:	Aluminium / steel
Top cover:	10 mm glass
Gate Barrier Leaf:	10 mm tempered glass / 10 mm polycarbonate
Upper & Lower Side Panels:	AISI 304 Stainless steel / Powder coated steel
Side Panels:	10 mm tempered glass

Electromechanics

Electric Supply:	230 VAC, 50/60 Hz
Power Supply Unit:	24V
Drive Mechanism:	DC motor & gearbox Integrated encoder Electromagnetic brake
Opening/Closing Time:	0.7 - 1.2 sec (depends on leaf size)
Sensors:	72 sensors
MCBF:	10.000.000
IP:	IP54
Communication:	RS485, RS232, CAN bus, TCP/IP



VISION EDGE

Barrier wing height



945 mm



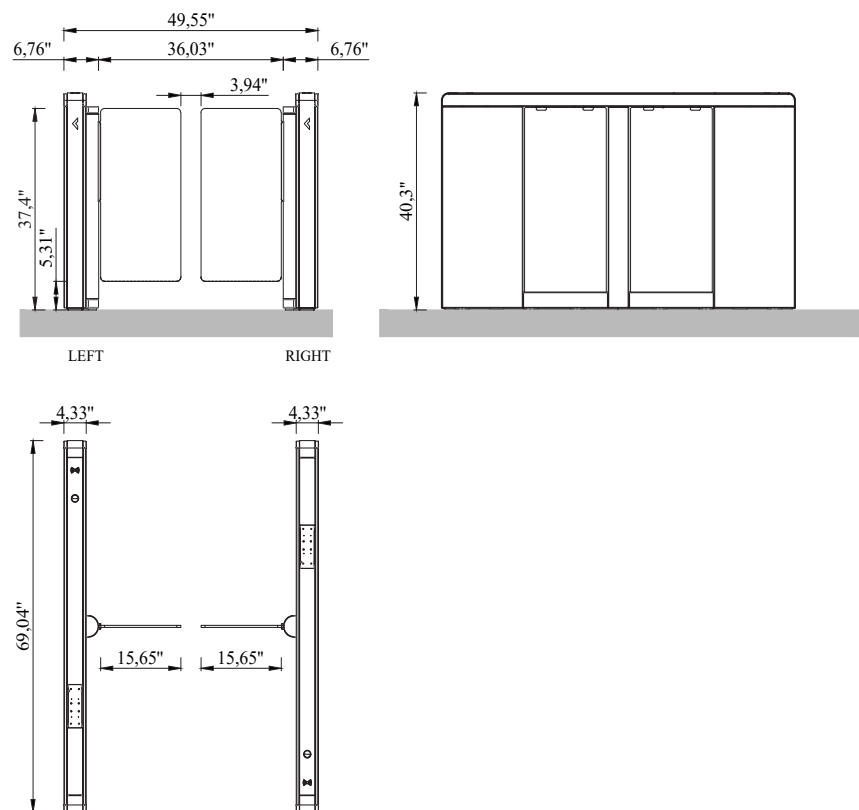
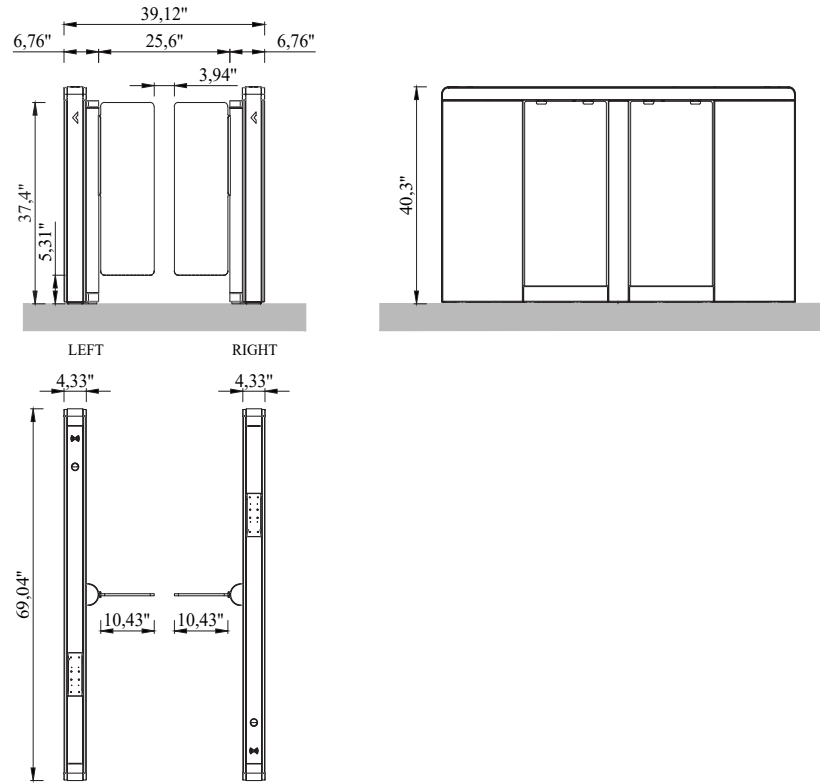
1200 mm



1800 mm

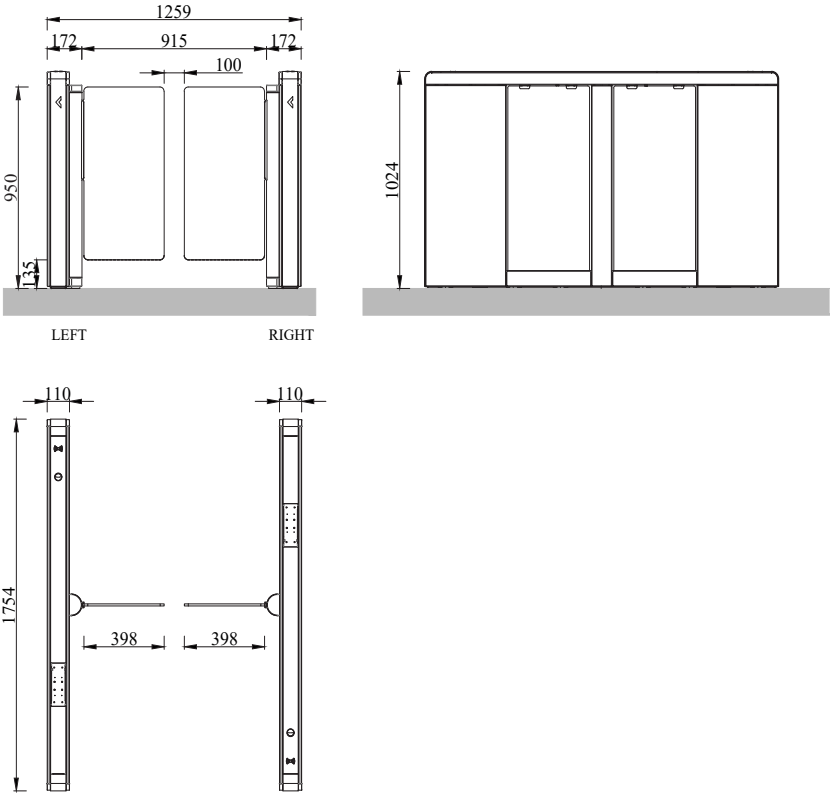
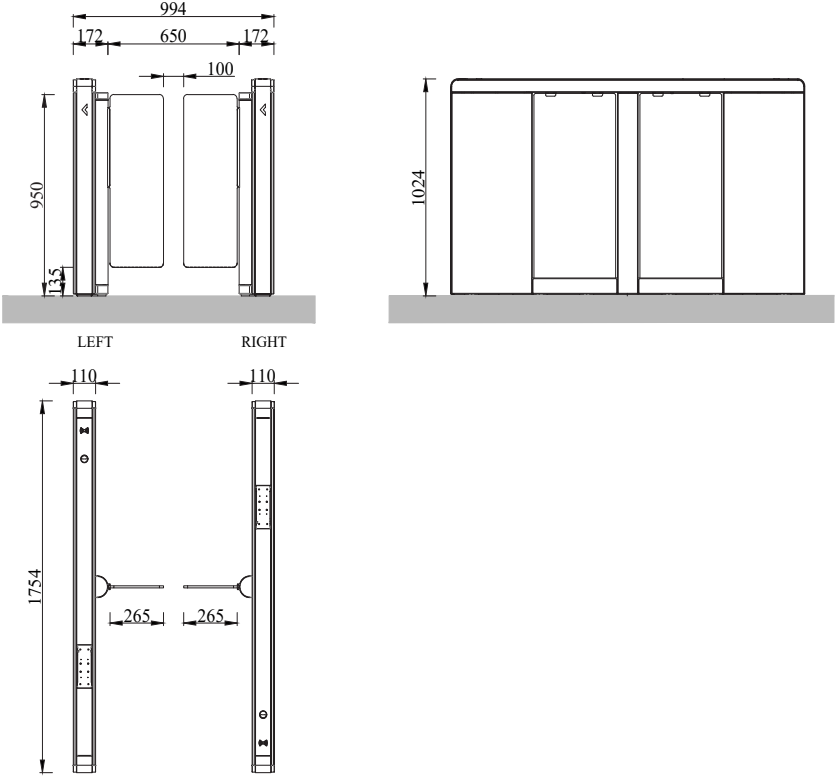
VISION EDGE

Dimensions (Inch)



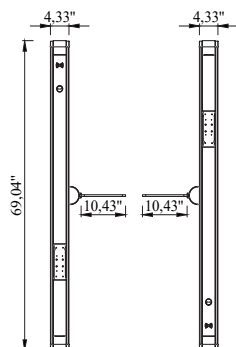
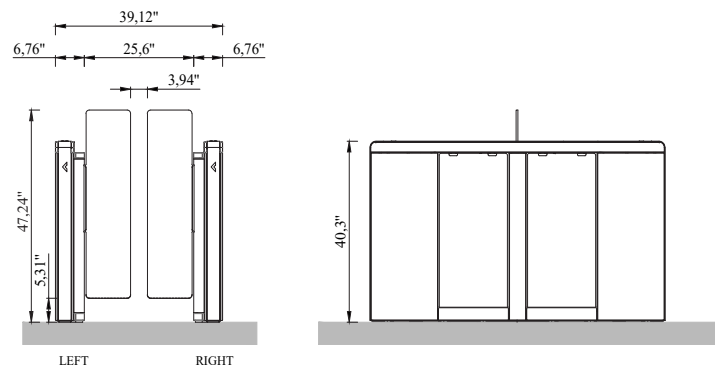
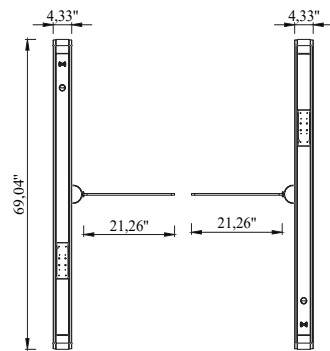
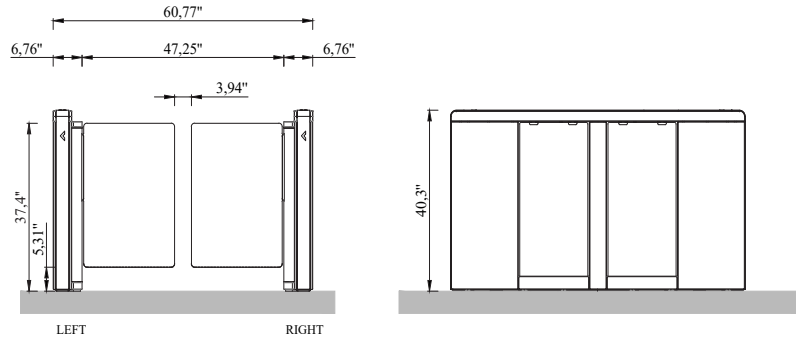
VISION EDGE

Dimensions (mm)



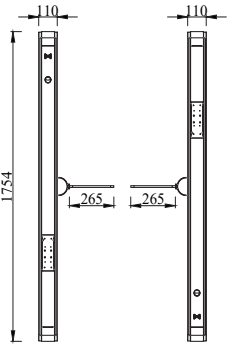
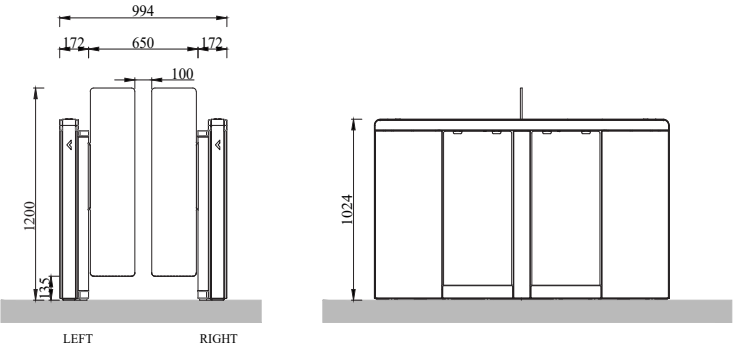
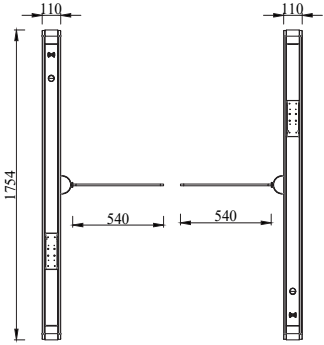
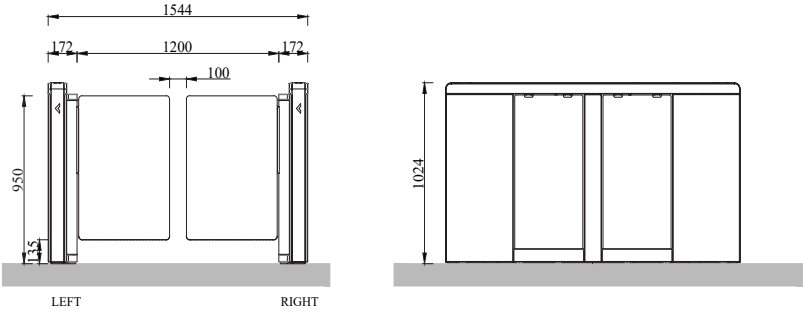
VISION EDGE

Dimensions (Inch)



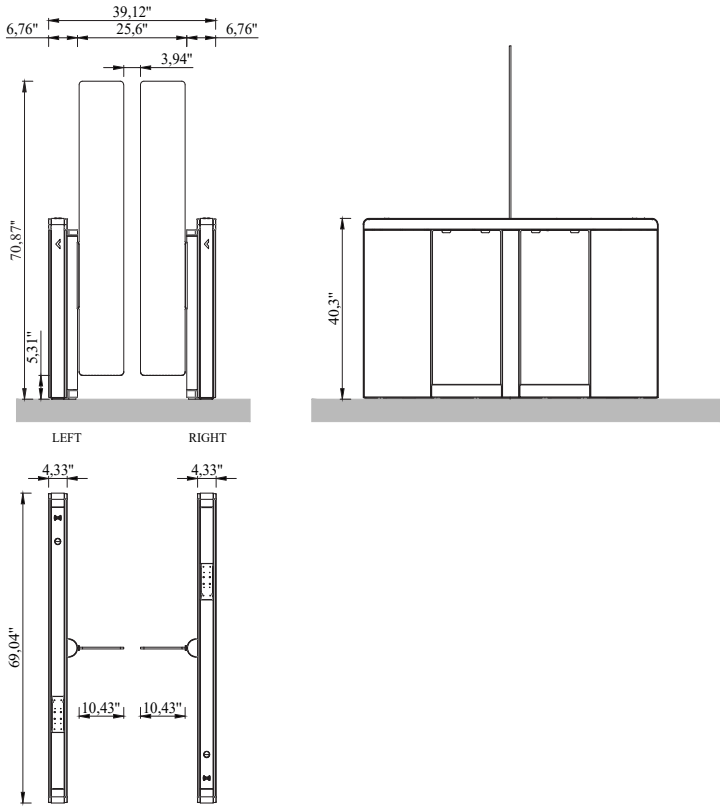
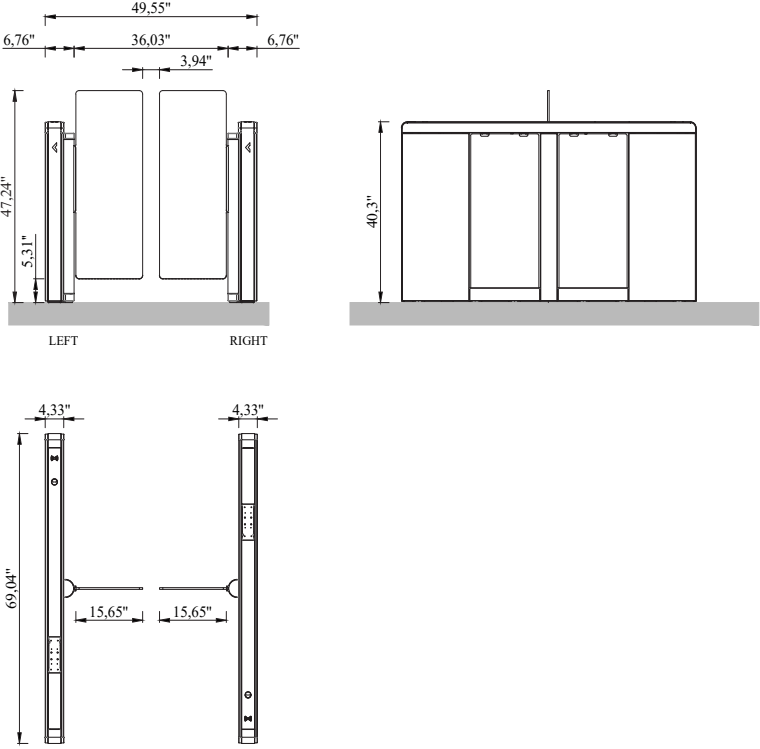
VISION EDGE

Dimensions (mm)



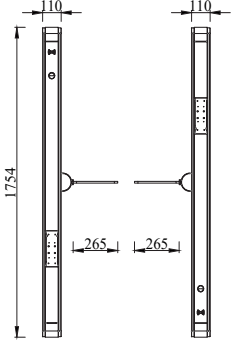
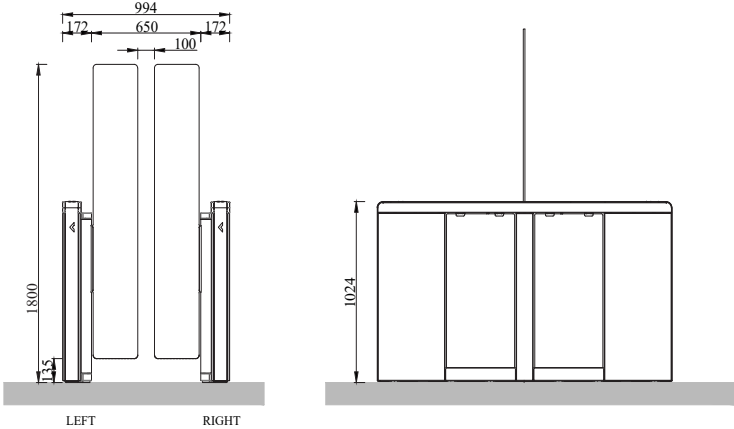
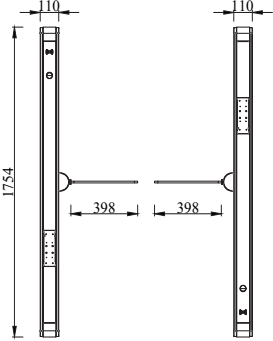
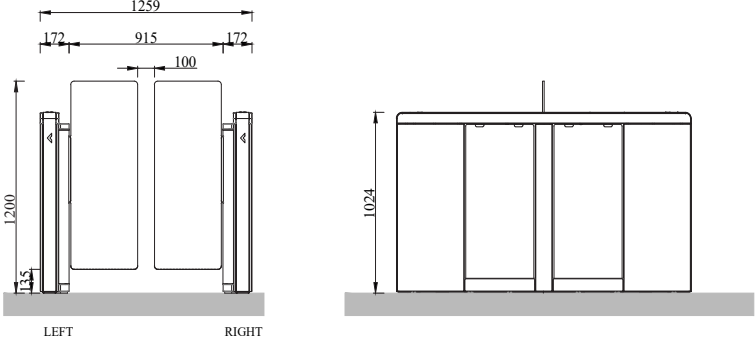
VISION EDGE

Dimensions (Inch)



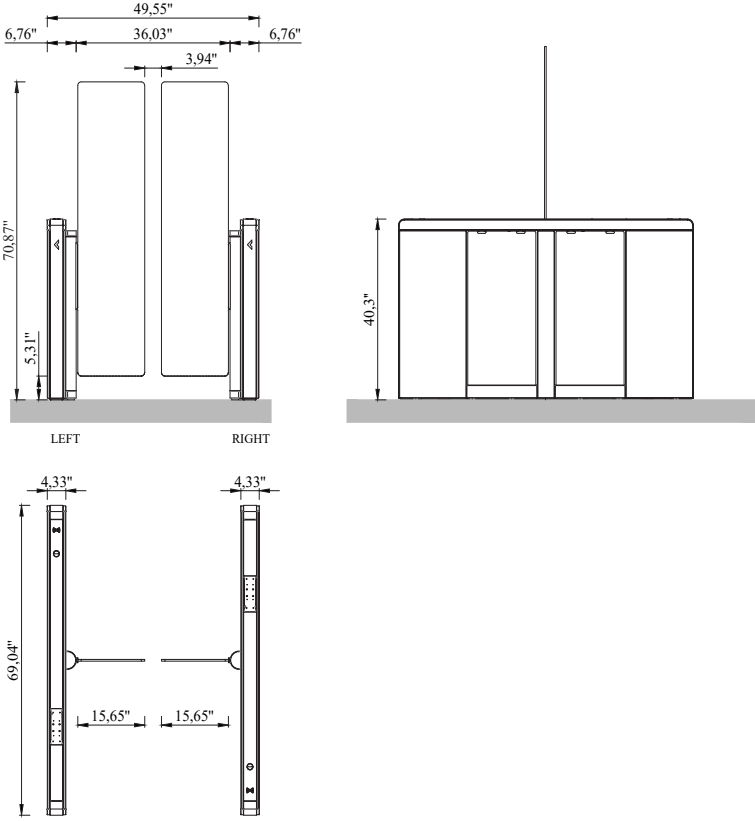
VISION EDGE

Dimensions (mm)



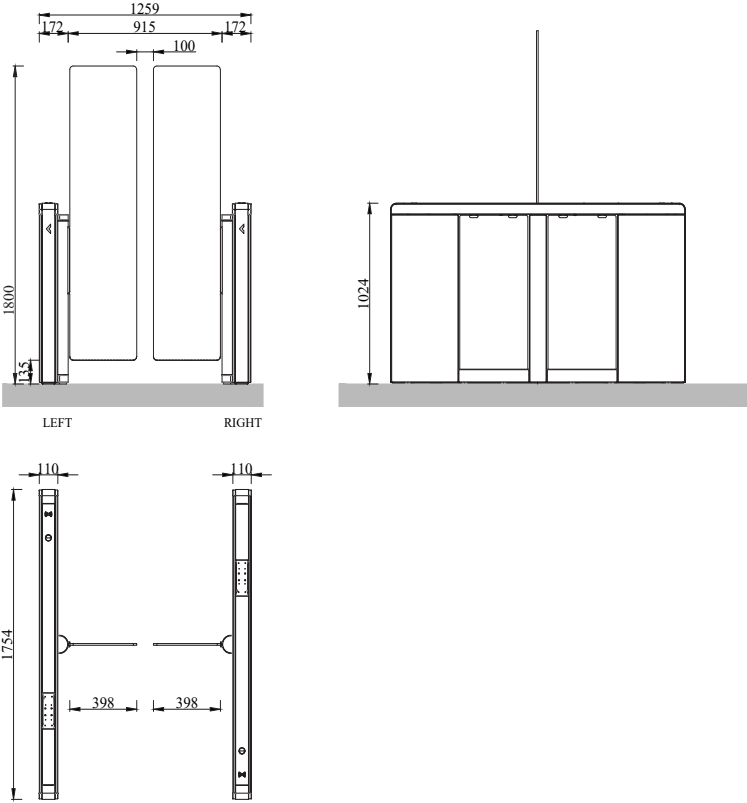
VISION EDGE

Dimensions (Inch)



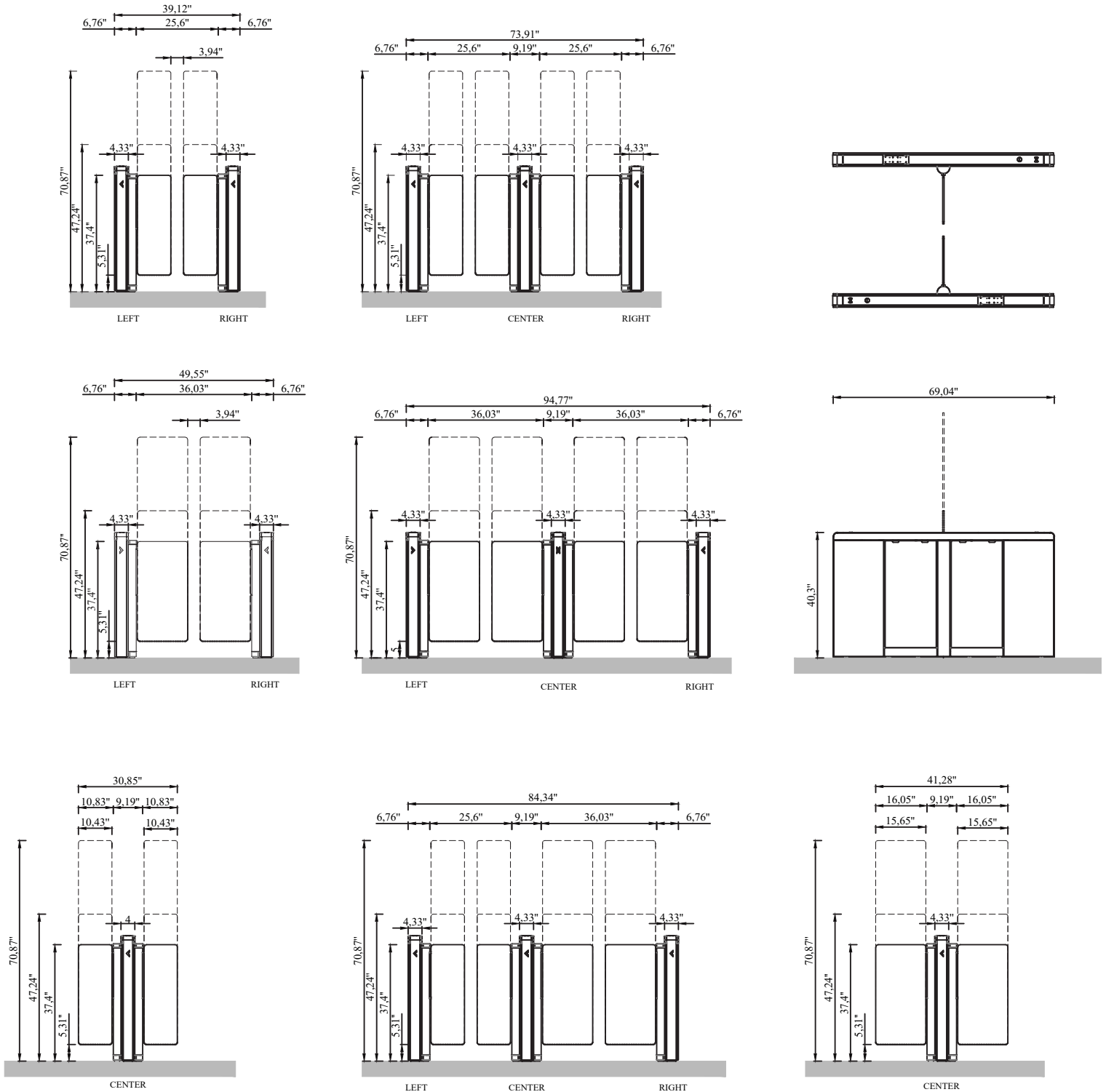
VISION EDGE

Dimensions (mm)



VISION EDGE

Dimensions (Inch)



VISION EDGE

Dimensions (mm)

